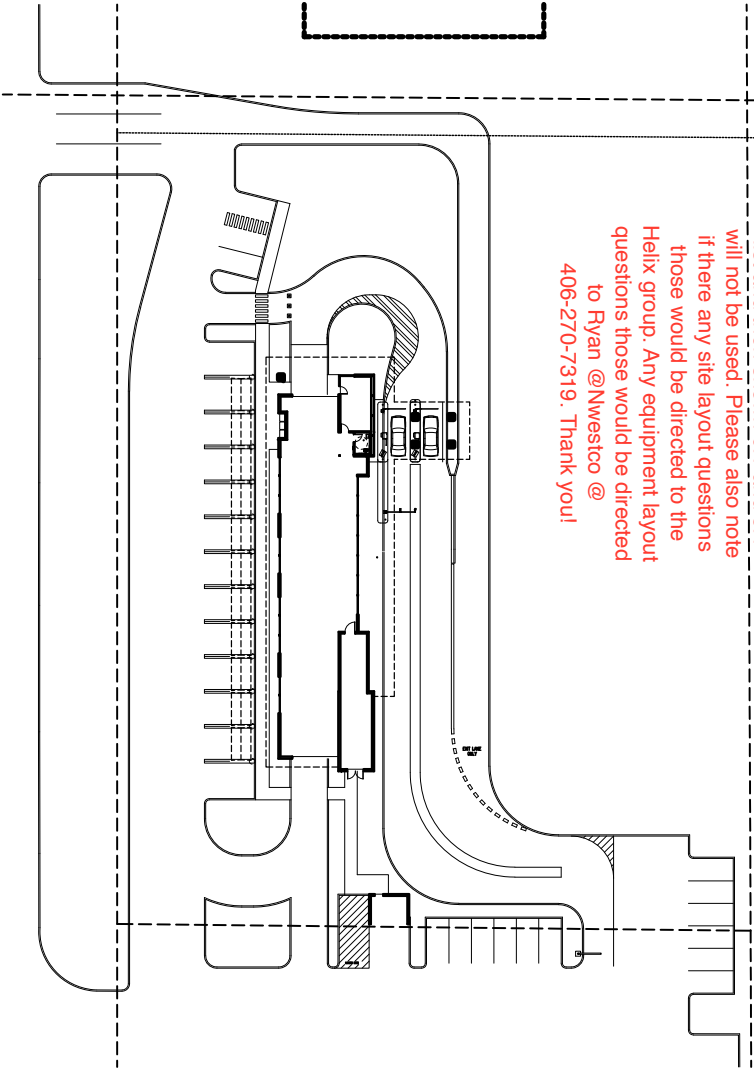


# Make CarWashing Easy

## "21181-D3-Tulalip Tribe"

Sheet	Sheet Title
01	INDEX
1.1	SITE LAYOUT
2.1	TRENCH PIT LAYOUT: GC
4.1	CHASE WAY: GC
4.2	RECLAIM/SEWER LAYOUT: GC
4.3	RECLAIM TANK SYSTEM: GC
4.4	RECLAIM SYSTEM: GC
5.1	EQUIPMENT LIST-1
5.2	EQUIPMENT LIST-2
5.3	EQUIPMENT LIST-3
5.4	EQUIPMENT LIST-4
6.0	RENDERED TUNNEL LAYOUT
6.1	EQUIPMENT LAYOUT
7.1	EQ. SUPPORT DESCRIPTION
8.1	PLUMBING: GC
8.3	PREP-GUN PLUMBING: GC
8.5	LEGEND
8.6	DIVISION OF WORK
9.1	CONTROL VOLTAGE: GC
9.2	CONTROL: GC
9.3	SIGNAGE: GC
9.4	MOTOR POWER: GC
9.5	ONE LINE ELECTRICAL: GC
9.6	ELECTRICAL PANEL: GC
9.7	DIVISION OF WORK
10.2	VACUUM SITE LAYOUT: GC
10.3	VACUUM PNEUMATIC LAYOUT: GC
10.4	VACUUM LIGHT LAYOUT: GC
10.5	VACUUM FOUNDATION LAYOUT: GC
10.7	VAC. PRODUCER ASSEMBLY DETAIL: SCWI
11.1	POS CONFIGURATION: GC
11.2	POS CONFIGURATION: GC
11.3	POS ISLAND CONDUIT LAYOUT: GC
11.4	POS SITE LAYOUT: GC
11.5	ISLAND CONDUIT LAYOUT: GC
11.6	POS CONDUIT LAYOUT: GC
11.7	POS POWER LAYOUT: GC
11.8	POS POWER SCHEDULE
11.9	POS COMMUNICATION LAYOUT: GC
11.10	POS COMMUNICATION SCHEDULE
11.11	POS GATE CONTROL LAYOUT: GC
11.12	POS GATE CONTROL SCHEDULE
12.1	TIMING DISTANCES

Please note the under carriage equipment shown 5.1 equipment list and then shown 6.1 and 8.1 will not be used. Please also note if there any site layout questions those would be directed to the Helix group. Any equipment layout questions those would be directed to Ryan @Nwestco @ 406-270-7319. Thank you!



**DISCLAIMER**  
 ALL THROUGH BUILDING CODES HAVE BEEN CONSIDERED IN DEVELOPING THIS DRAWING. VARIATION OF ALL THROUGH BUILDING CODES AND LOCAL ORDINANCES ARE THE RESPONSIBILITY OF THE CLIENT. THESE DRAWINGS REFLECT REQUIREMENTS FOR SONNY'S ENTERPRISES EQUIPMENT ONLY UNLESS OTHERWISE NOTED. PLEASE REFER TO OTHER DRAWING NOTATIONS, IF ANY, FOR THEIR EQUIPMENT REQUIREMENTS.

**CONFIDENTIAL WARNING:**  
 THIS SHEET CONTAINS AND CONSTITUTES CONFIDENTIAL INFORMATION, IMAGES AND TRADE SECRETS OF SONNY'S ENTERPRISES INC. ANY UNAUTHORIZED USE OR DISCLOSURE OF ANY OR PORTION THEREOF IS STRICTLY PROHIBITED. THIS WORK IS THE EXCLUSIVE PROPERTY OF SONNY'S ENTERPRISES INC. ALL RIGHTS RESERVED.

21181-D3-Tulalip Tribe  
 SCALE: N.T.S. LOCATION: -WA-

Sheet 01  
 Rev. --

INDEX



DATE:	03.03.21
REVISION DATE:	10.25.21
CREATED BY:	LV
REVISED BY:	ADC
APPROVED BY:	FAO

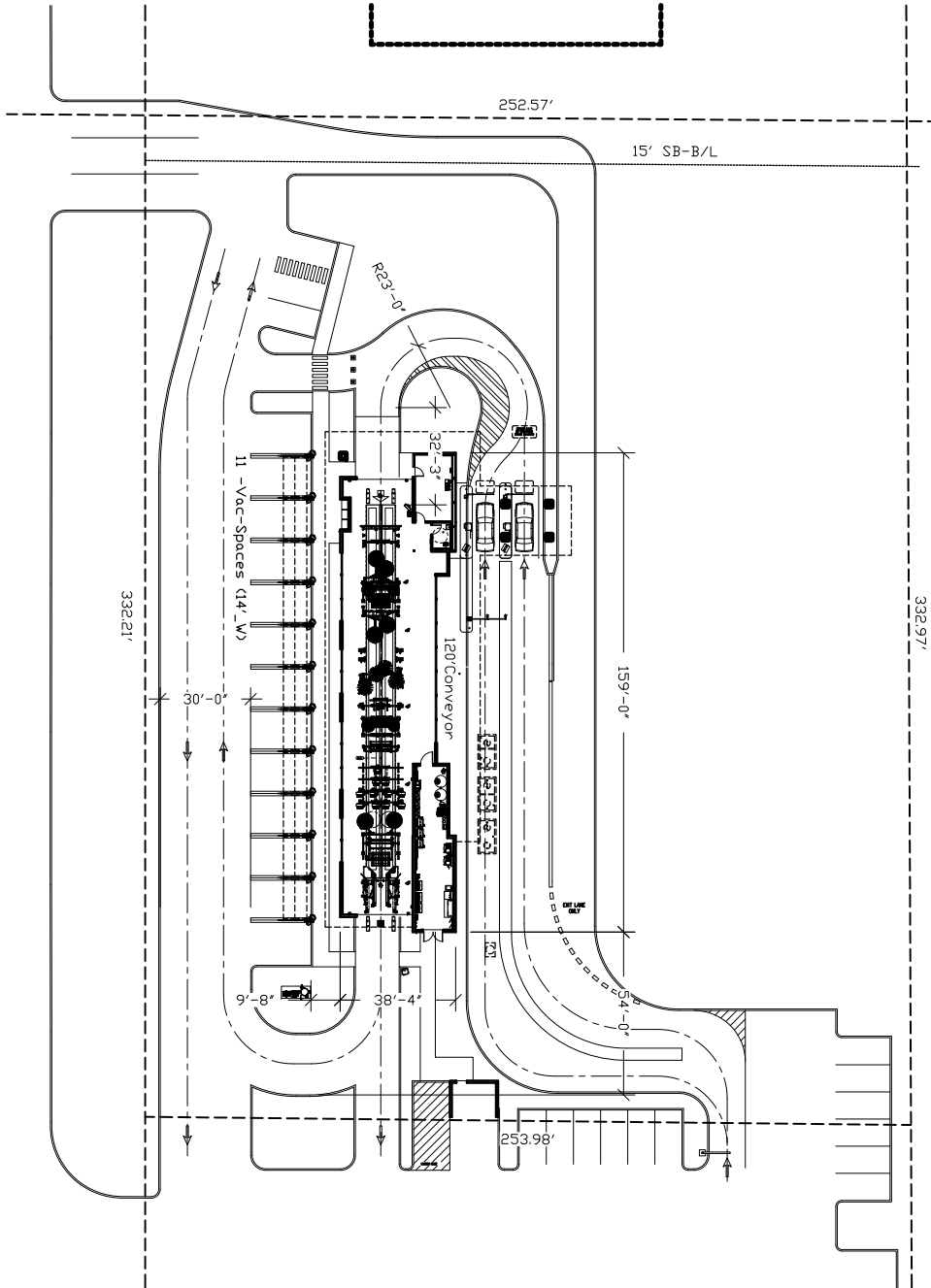
**DISCLAIMER**  
 ALTHOUGH BUILDING CODES HAVE BEEN CONSIDERED IN DEVELOPING THIS DRAWING, VERIFICATION OF ALL APPLICABLE LOCAL, STATE AND FEDERAL BUILDING CODES AND ALL APPLICABLE ORDINANCES IS THE EXCLUSIVE RESPONSIBILITY OF THE CUSTOMER AND/OR ARCHITECT AND ENGINEER. THESE DRAWINGS REFLECT REQUIREMENTS FOR SONNY'S EXPANDED EQUIPMENT ONLY UNLESS OTHERWISE NOTED. PLEASE REFER TO OTHER DRAWINGS AND ORDERS, IF ANY, FOR THEIR EQUIPMENT REQUIREMENTS.

**CONFIDENTIAL WARNING:**  
 THIS SHEET CONTAINS AND CONSTITUTES CONFIDENTIAL INFORMATION, IMAGES AND TRADE SECRETS OF SONNY'S ENTERPRISES, INC. ANY UNAUTHORIZED USE OR DISCLOSURE OF ANY OR PORTION HEREOF, WITHOUT THE WRITTEN PERMISSION OF SONNY'S ENTERPRISES, INC. IS STRICTLY PROHIBITED. ALL RIGHTS RESERVED.

21181-D3-Tulalip Tribe  
 SCALE: 1"=40'  
 LOCATION: -WA-

Sheet	Rev.
1.1	-1-

NOT FOR CONSTRUCTION UNTIL APPROVED BELOW.  
 APPROVED BY: \_\_\_\_\_ DATE: \_\_\_\_\_



**SITE LAYOUT**



DATE:	03.03.21
REVISION DATE:	10.25.21
CREATED BY:	LV
REVISED BY:	ADC
APPROVED BY:	FAO

**DISCLAIMER**  
 ALL RIGHTS RESERVED. SONNY'S ENTERPRISES, INC. AND/OR ARCHITECT AND ENGINEER. THESE DRAWINGS REFLECT REQUIREMENTS FOR SONNY'S EQUIPPED EQUIPMENT ONLY UNLESS OTHERWISE NOTED. PLEASE REFER TO OTHER DRAWINGS AND SPECIFICATIONS FOR OTHER EQUIPMENT REQUIREMENTS.

**CONFIDENTIAL WARNING:**  
 THIS SHEET CONTAINS AND CONSTITUTES CONFIDENTIAL INFORMATION, IMAGES AND TRADE SECRETS OF SONNY'S ENTERPRISES, INC. ANY UNAUTHORIZED USE OR DISCLOSURE OF ANY OR PORTION THEREOF IS STRICTLY PROHIBITED. THIS WORK IS THE EXCLUSIVE PROPERTY OF SONNY'S ENTERPRISES, INC. ALL RIGHTS RESERVED.

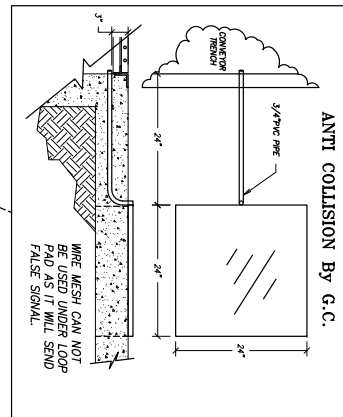
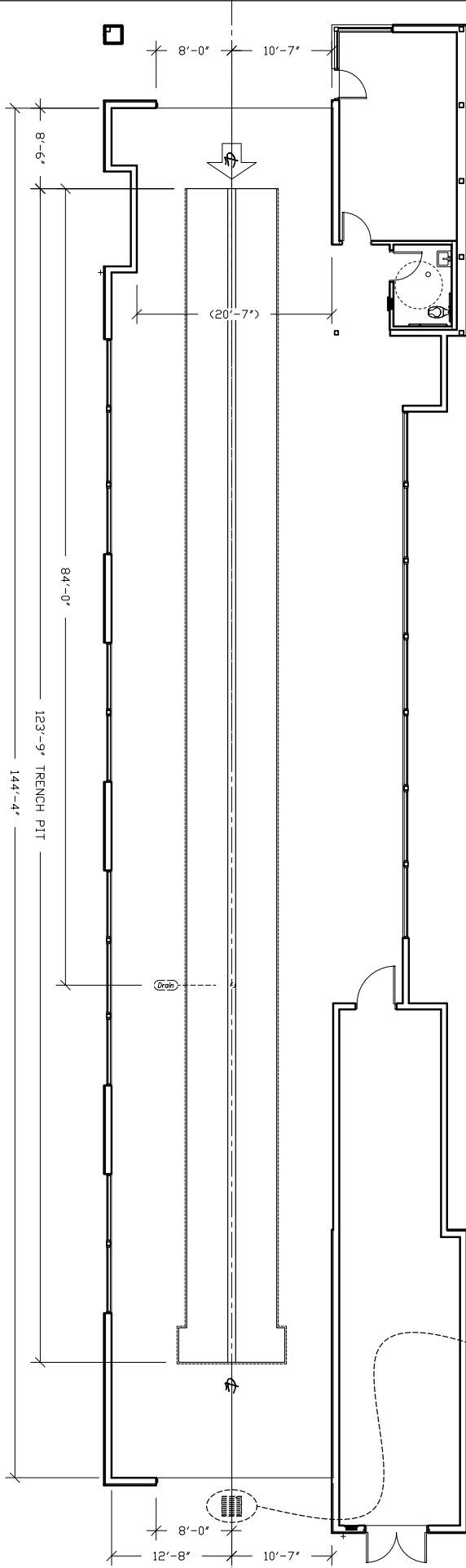
**21181-D3-Tulalip Tribe**  
 SCALE: 3/32"=1'  
 LOCATION: -WA-

Sheet 2.1  
 Rev. -1-

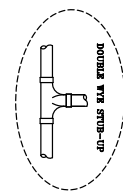
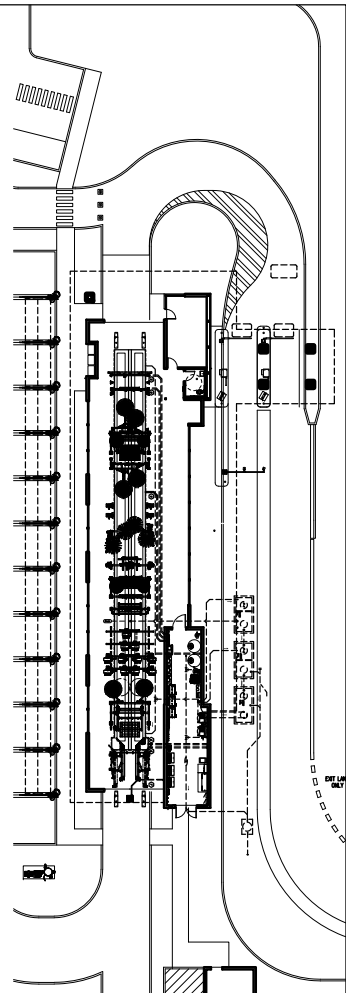
TRENCH PIT LAYOUT; GC



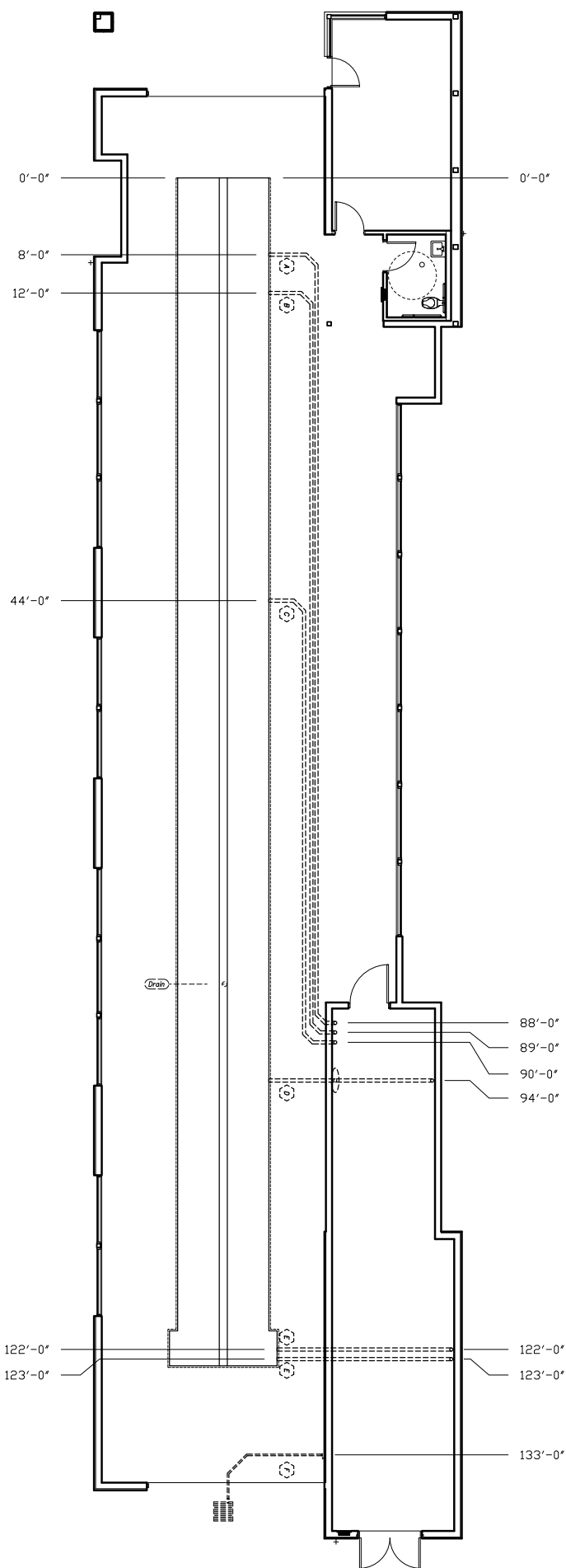
DATE:	03.03.21
REVISION DATE:	10.25.21
CREATED BY:	LV
REVISED BY:	ADC
APPROVED BY:	FAO



NOT FOR CONSTRUCTION UNTIL APPROVED BELOW.  
 APPROVED BY: \_\_\_\_\_ DATE: \_\_\_\_\_



NO.	CHASEWAY SCHEDULE	PHOTO EYE	ELECTRIC
(A)	4" PVC PIPE	CIA	CEILING DISTRIBUTION
(B)	4" PVC PIPE	UNDER CARPENTRY	MIXER
(C)	4" PVC PIPE	DRAIN	
(D)	4" PVC PIPE	CONNECTOR	ELECTRIC
(E)	4" PVC PIPE	ANTI COLLISION BOX	ELECTRIC
(F)	4" PVC PIPE		



**DISCLAIMER**  
 ALL PRICES AND BUILDING COSTS HAVE BEEN CONSIDERED IN DEVELOPING THIS DRAWING. VARIATION OF MATERIALS, METHODS OF CONSTRUCTION, AND LOCAL MARKET CONDITIONS MAY AFFECT THE EXCLUSIVE RESPONSIBILITY OF THE CUSTOMER AND/OR ARCHITECT AND ENGINEER. THESE DRAWINGS REFLECT REQUIREMENTS FOR SONNY'S EQUIPPED EQUIPMENT ONLY UNLESS OTHERWISE NOTED. PLEASE REFER TO OTHER DRAWINGS AND ORDERS, IF ANY, FOR THEIR EQUIPMENT REQUIREMENTS.

**CONFIDENTIAL WARNING:**  
 THIS SHEET CONTAINS AND CONSTITUTES CONFIDENTIAL INFORMATION, IMAGES AND TRADE SECRETS OF SONNY'S ENTERPRISES INC. ANY UNAUTHORIZED USE OR DISCLOSURE OF ANY OR PORTION THEREOF IS STRICTLY PROHIBITED. THIS WORK IS THE EXCLUSIVE PROPERTY OF SONNY'S ENTERPRISES INC. ALL RIGHTS RESERVED.

**21181-D3-Tulalip Tribe**  
 SCALE: 3/32"=1'  
 LOCATION: -WA-

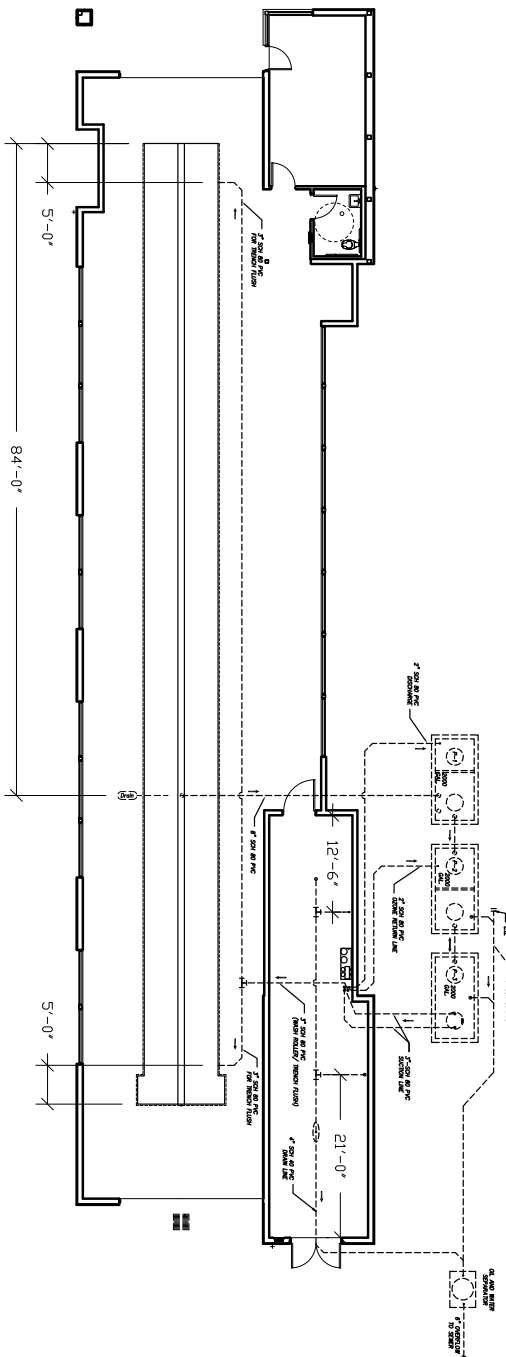
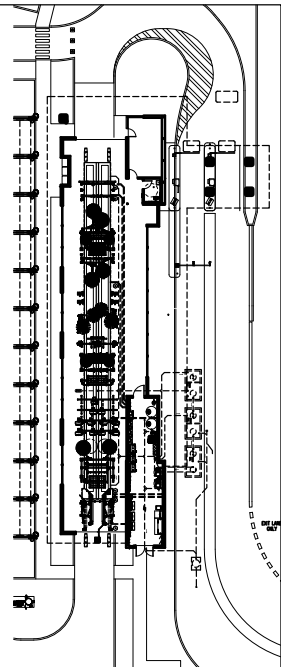
NOT FOR CONSTRUCTION UNTIL APPROVED BELOW.  
 APPROVED BY: \_\_\_\_\_ DATE: \_\_\_\_\_

Sheet	Rev.
4.1	-1-

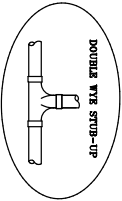
CHASE WAY; GC



DATE:	03.03.21
REVISION DATE:	10.25.21
CREATED BY:	LV
REVISED BY:	ADC
APPROVED BY:	FAO



NOT FOR CONSTRUCTION UNTIL APPROVED BELOW.  
 APPROVED BY: \_\_\_\_\_ DATE: \_\_\_\_\_



**DISCLAIMER**  
 ALL PRICES, BUILDING COSTS, HAVE BEEN CONSIDERED IN DEVELOPING THIS DRAWING. VARIATION OF MATERIALS, METHODS, AND CONDITIONS, MAY BE NECESSARY TO COMPLETE THE PROJECT. THESE DRAWINGS REFLECT REQUIREMENTS FOR SONNY'S EQUIPPED EQUIPMENT ONLY, UNLESS OTHERWISE NOTED. PLEASE REFER TO OTHER DRAWINGS AND ORDERS, IF ANY, FOR THEIR EQUIPMENT REQUIREMENTS.

**CONFIDENTIAL WARNING:**  
 THIS SHEET CONTAINS AND CONSTITUTES CONFIDENTIAL INFORMATION, IMAGES AND TRADE SECRETS OF SONNY'S ENTERPRISES INC. ANY UNAUTHORIZED USE OR DISCLOSURE OF ANY OR PORTION THEREOF OR SONNY'S ENTERPRISES INC. THIS WORK IS THE EXCLUSIVE PROPERTY OF SONNY'S ENTERPRISES INC. ALL RIGHTS RESERVED.

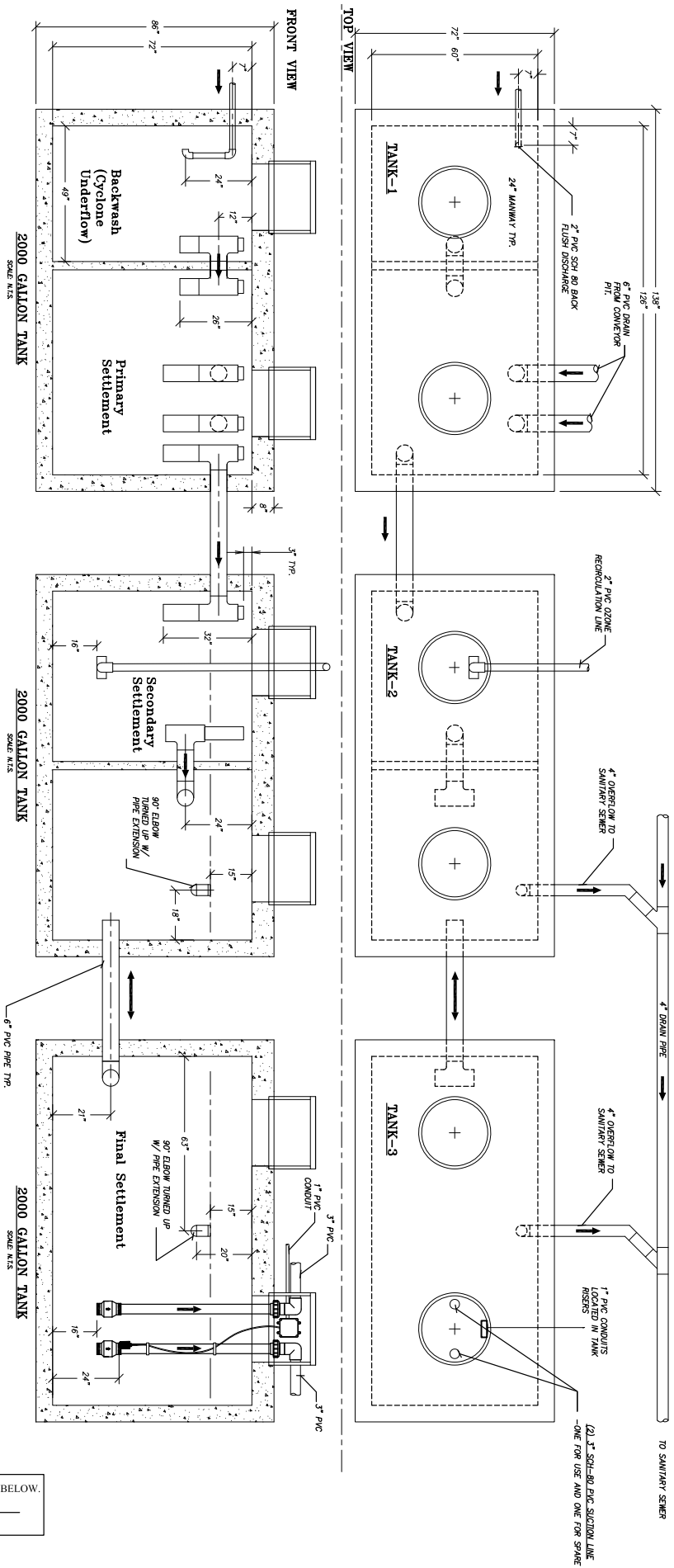
**21181-D3-Tulalip Tribe**  
 SCALE: 1/16"=1'  
 LOCATION: -WA-

Sheet	Rev.
4.2	-1-

**RECLAIM/SEWER LAYOUT; GC**



DATE:	03.03.21
REVISION DATE:	10.25.21
CREATED BY:	LV
REVISED BY:	ADC
APPROVED BY:	FAO



**NOTE:**

1. Pressure Test All Suction Lines Upon Installation @ 10-15 PSI max.
2. Keep pressure on Suction Lines for the entire DURATION of construction.
3. Pressure should NOT drop more than 2 PSI.
4. Watch for problems when excavating driveways.
5. Placement of suction lines is critical
6. Do NOT put screens on the suction lines

**CAR WASH RECLAIM SYSTEM**  
**STANDARD PurWater**  
**RECLAIM 3 TANK**  
 (SEE RECLAIM SHEET FOR DETAIL.)

**NOTE:**

1. ALL UNDERGROUND TANKS AND PIPING BY CONTRACTOR
2. PIPE LOCATIONS SHOULD BE USED FOR ANY TANK
3. ALL INTERNAL TANK PLUMBING TO BE 6" sch 40 PVC UNLESS NOTED OTHERWISE
4. ALL TANK BOTTOMS SHOULD BE LEVEL
5. THIS DRAWING IS TO SHOW TANK HOLDING CAPACITY AND PIPING RELATIONSHIPS ONLY. THEY ARE NOT INTENDED TO ADDRESS TANK STRUCTURE ENGINEERING.

NOT FOR CONSTRUCTION UNTIL APPROVED BELOW.  
 \_\_\_\_\_ DATE  
 APPROVED BY. \_\_\_\_\_

**DISCLAIMER**  
 ALL PIPING BUILDING COSTS HAVE BEEN CONSIDERED IN DETERMINING THIS DRAWING. VARIATION OF ALL PIPING BUILDING COSTS AND CONDITIONS WILL BE THE RESPONSIBILITY OF THE CUSTOMER AND/OR ARCHITECT AND ENGINEER. THESE DRAWINGS REFLECT REQUIREMENTS FOR SONNY'S EXPANDED EQUIPMENT ONLY UNLESS OTHERWISE NOTED. PLEASE REFER TO OTHER DRAWINGS AND ORDERS, IF ANY, FOR THEIR EQUIPMENT REQUIREMENTS.

**CONFIDENTIAL WARNING:**  
 THIS SHEET CONTAINS AND CONSTITUTES CONFIDENTIAL INFORMATION, IMAGES AND TRADE SECRETS OF SONNY'S ENTERPRISES INC. ANY UNAUTHORIZED USE OR DISCLOSURE OF ANY OR PORTION THEREOF OR SONNY'S ENTERPRISES INC. THIS WORK IS THE EXCLUSIVE PROPERTY OF SONNY'S ENTERPRISES INC. ALL RIGHTS RESERVED.

21181-D3-Tulalip Tribe  
 SCALE: N.T.S. LOCATION: -WA-

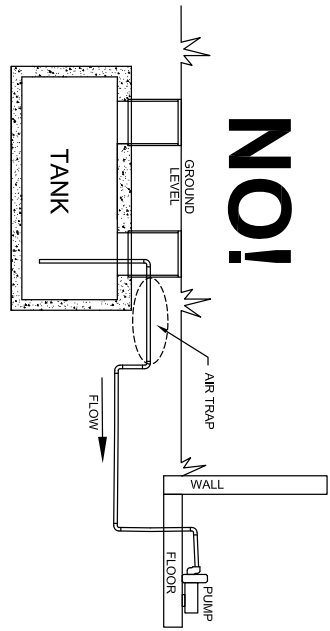
Sheet 4.3  
 Rev. --

RECLAIM TANK SYSTEM; GC



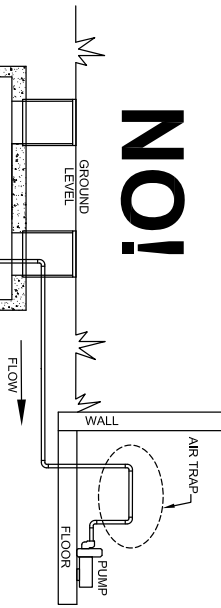
DATE:	03.03.21
REVISION DATE:	10.25.21
CREATED BY:	LV
REVISED BY:	ADC
APPROVED BY:	FAO

# NO!

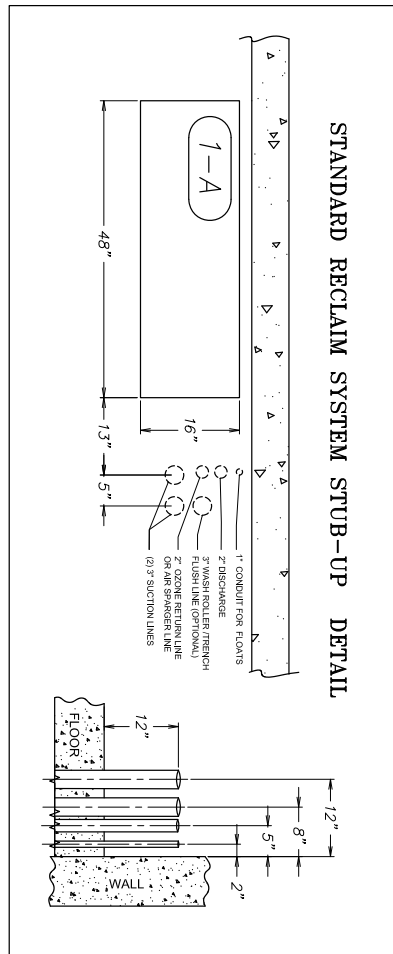


**BELOW GROUND TANKS**  
ALL suction lines must NEVER slope down and then back up again (Air Trap).

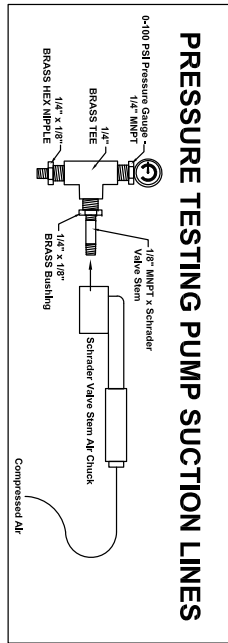
# NO!



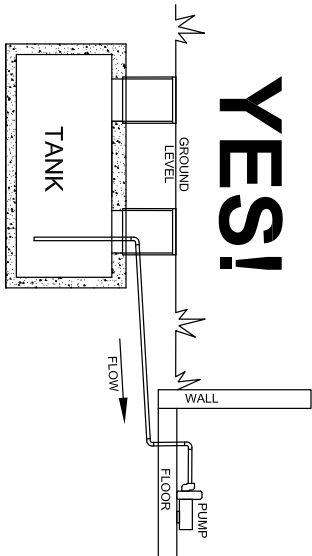
**BELOW GROUND TANKS**  
ALL suction lines must NEVER slope up and then back down again (Air Trap).  
ANY QUESTIONS CONTACT SONNY'S



**STANDARD RECLAIM SYSTEM STUB-UP DETAIL**



# YES!



**BELOW GROUND TANKS**  
ALL suction lines require a continuous upward slope to the Equipment Room.

NOT FOR CONSTRUCTION UNTIL APPROVED BELOW:  
APPROVED BY: \_\_\_\_\_ DATE: \_\_\_\_\_

**DISCLAIMER**  
ALTHOUGH BUILDING CODES HAVE BEEN CONSIDERED IN DEVELOPING THIS DRAWING, VARIATION OF ALTHOUGH BUILDING CODES AND CONDITIONS MAY OCCUR. SONNY'S ENTERPRISES, INC. IS NOT ASSUMING ANY RESPONSIBILITY FOR THESE DRAWINGS REFLECT REQUIREMENTS FOR SONNY'S EQUIPPED EQUIPMENT ONLY UNLESS OTHERWISE NOTED. PLEASE REFER TO OTHER MANUALS AND ORDERS, IF ANY, FOR THEIR EQUIPMENT REQUIREMENTS.

**CONFIDENTIAL WARNING:**  
THIS SHEET CONTAINS AND CONSTITUTES CONFIDENTIAL INFORMATION, IMAGES AND TRADE SECRETS OF SONNY'S ENTERPRISES, INC. ANY UNAUTHORIZED USE OR DISCLOSURE OF ANY OR PORTION THEREOF, WITHOUT THE WRITTEN PERMISSION OF SONNY'S ENTERPRISES, INC. IS STRICTLY PROHIBITED. ALL RIGHTS RESERVED.

21181-D3-Tulalip Tribe  
SCALE: N.T.S. LOCATION: -WA-

Sheet 4.4  
Rev. --

RECLAIM SYSTEM; GC



DATE: 03.03.21  
REVISION DATE: 10.25.21  
CREATED BY: LV  
REVISED BY: ADC  
APPROVED BY: FAO





**EQUIPMENT LIST**

ITEM #	DESCRIPTION	VOLT	HP	PHASE	AMP	C.B.	M.S.	WATER		AIR	PLUMBING AND MECHANICAL WORK		ELECTRICAL WORK		REMARKS	
								COLD	HOT		RECLAIM	FURN. BY:	ELECTED BY:	Eq. RM.		PIPING:
12-1	OMNI SINGLE SIDE OMNI 150															
12-6	OMNI DOUBLE TOP OMNI-352															
12-9	WHEEL BLASTER SPINNER (SP100)															
12-9	WHEEL BLASTER SPINNER (SP100)															
12-4	OMNI POWER UNIT	480V	5HP	3P	7.6A	15	0									
12-C	WHEEL CLEANERS FLIP SOLENOID	24V		1P	.27A											
12-C	WHEEL CLEANERS FLIP SOLENOID	24V		1P	.27A											
12-C	WHEEL CLEANERS FLIP SOLENOID	24V		1P	.27A											
12-C	WHEEL CLEANERS FLIP SOLENOID	24V		1P	.27A											
12-1	SIDE MOTOR (FS)	480V	1HP	3P	1.65A	15	00									
12-1	SIDE MOTOR (FS)	480V	1HP	3P	1.65A	15	00									
12-1	SIDE MOTOR (FS)	480V	1HP	3P	1.65A	15	00									
12-1	SIDE MOTOR (FS)	480V	1HP	3P	1.65A	15	00									
13-B	H-25 STRND & CNT. (DOUBLE UNIT)	24V		1P				1"								
13-B8	H-25 STRND & CNT. (DOUBLE UNIT)	24V		1P				1"								
13-B8	H-25 STRND & CNT. (DOUBLE UNIT)	24V		1P				1"								
13-C	H-25 OMNI PUMP TOP (P)	480V	15HP	3P	2.1A	40	2									
13-C	H-25 OMNI PUMP TOP (P)	480V	15HP	3P	2.1A	40	2									
13-D	OMNI SIDE FLIP SOLENOID	24V		1P	.27A											
13-E	OMNI TOP FLIP SOLENOID	24V		1P	.27A											
13-F	H-25 OMNI PUMP SIDE (P)	480V	15HP	3P	2.1A	40	2									
13-L	H-25 WHEEL CLEANERS PUMP	480V	15HP	3P	2.1A	40	2									
13-L	H-25 WHEEL CLEANERS PUMP	480V	15HP	3P	2.1A	40	2									
13-L	H-25 WHEEL CLEANERS PUMP	480V	15HP	3P	2.1A	40	2									
13-L	H-25 WHEEL CLEANERS PUMP	480V	15HP	3P	2.1A	40	2									
14-16	3 COLOR FOMER (WR-Fomer)															
14-17	Fusion SEAL (Frohmolder II)															
14-18	Fusion Wax (Frohmolder II)	24V		1P	1.2A											
14-F	COLOR FOMER SOLENOID #1	24V		1P	1.2A											
14-G	COLOR FOMER SOLENOID #2	24V		1P	1.2A											
14-H	COLOR FOMER SOLENOID #3	24V		1P	1.2A											
14-J	Fusion SEAL SOLENOID	24V		1P	1.2A											
14-L	Fusion Wax SOLENOID	24V		1P	1.2A											
14-L	Fusion Wax SOLENOID	24V		1P	1.2A											
15-3	SIDE BRUSH BL-21"															
15-5	SIDE BRUSH BL-28"															
15-17	GRILL BRUSH / BRIDGE (SFRILL50)	480V	5HP	3P	7.6A	15	0									
15-A	SIDE BRUSH POWER UNIT	480V	5HP	3P	7.6A	15	0									
15-A	SIDE BRUSH POWER UNIT	480V	5HP	3P	7.6A	15	0									
15-H	SIDE BRUSH WATER SOLENOID	24V		1P	1.2A											
15-J	SIDE BRUSH-REC. SOLENOID	24V		1P	1.2A											
15-K	GRILL BRUSH-RETRACT SOLENOID	24V		1P	.27A											
15-L	SIDE BRUSH-RETRACT SOLENOID	24V		1P	.27A											
15-M	SIDE BRUSH REC. SOLENOID	24V		1P	1.2A											
15-N	GRILL FOMER SOLENOID	24V		1P	1.2A											
16-10	WAXRUSH RINSE (FROHMOLDER II)															
16-12	Fusion RINSE (Frohmolder II)															
16-B	DRYING AGENT/RINSE WAX SOLENOID	24V		1P	1.2A											
16-1	WAXRUSH RINSE SOLENOID	24V		1P	1.2A											
16-R	Fusion RINSE SOLENOID	24V		1P	1.2A											

**DISCLAIMER:** ALL INFORMATION CONTAINED HEREIN IS THE PROPERTY OF SONNY'S ENTERPRISES, INC. AND IS NOT TO BE REPRODUCED OR TRANSMITTED IN ANY FORM OR BY ANY MEANS, ELECTRONIC OR MECHANICAL, INCLUDING PHOTOCOPYING, RECORDING, OR BY ANY INFORMATION STORAGE AND RETRIEVAL SYSTEM. THE EXCLUSIVE RIGHT OF SONNY'S ENTERPRISES, INC. IS RESERVED. THIS SHEET CONTAINS AND CONSTITUTES CONFIDENTIAL INFORMATION, IMAGES AND TRADE SECRETS OF SONNY'S ENTERPRISES, INC. ANY UNAUTHORIZED USE OR DISCLOSURE OF ANY OR PORTION THEREOF, WITHOUT THE WRITTEN PERMISSION OF SONNY'S ENTERPRISES, INC. IS STRICTLY PROHIBITED. ALL RIGHTS RESERVED.

**CONFIDENTIAL WARNING:** THIS SHEET CONTAINS AND CONSTITUTES CONFIDENTIAL INFORMATION, IMAGES AND TRADE SECRETS OF SONNY'S ENTERPRISES, INC. ANY UNAUTHORIZED USE OR DISCLOSURE OF ANY OR PORTION THEREOF, WITHOUT THE WRITTEN PERMISSION OF SONNY'S ENTERPRISES, INC. IS STRICTLY PROHIBITED. ALL RIGHTS RESERVED.

**21181-D3-Tulalip Tribe**

SCALE: N.T.S. LOCATION: -WA-

Sheet 5.2 Rev. -1-



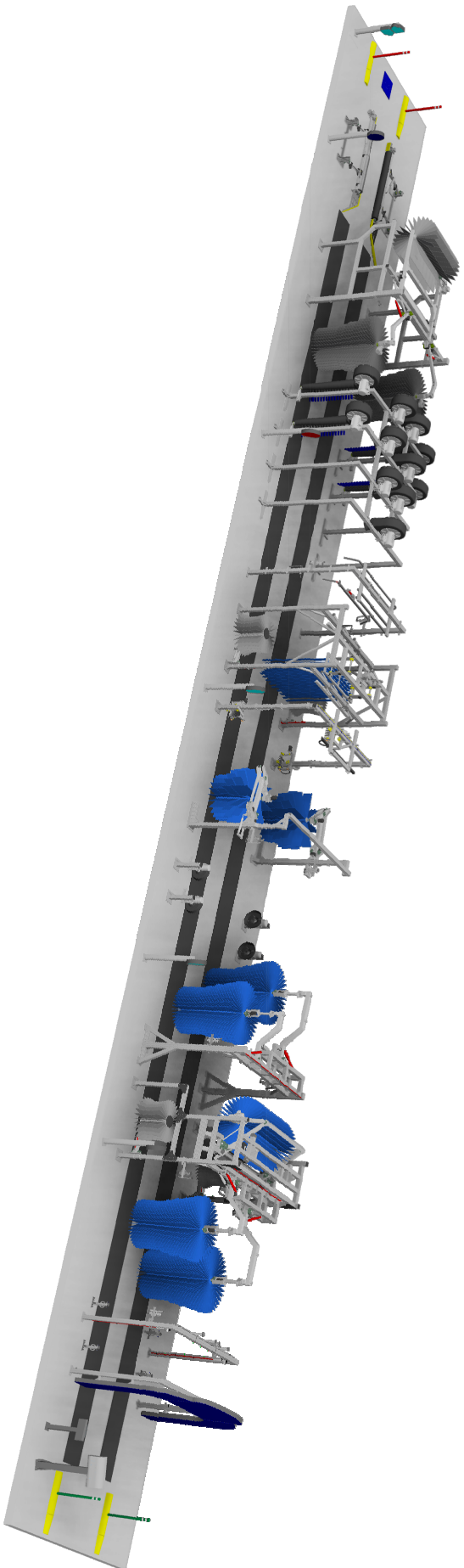
SOLENOID VOLTAGE = 24V

EQUIPMENT LIST

RESPONSIBILITY MATRIX

ITEM #	DESCRIPTION	VOLT	HP	PHASE	AMP	C.B.	M.S.	COLD	WATER HOT	RECLAIM	AIR	FURN. BY:	ERECTED BY:	EQ. RM.	PIPING:	TUNNEL:	PIPING:	FURN. BY:	ERECTED BY:	WIRED BY:	REMARKS	
26-1	BLOWER GATOR (Q1Y-11)	24V		1P	.37A							SONNYS	SCM	N/A				SONNYS	SCM	SCM	N/A	
26-3	BLOWER MAMMOTH FLOWING (Q1Y-2)	24V		1P	.37A						1/2"	SONNYS	SCM	N/A				SONNYS	SCM	SCM	N/A	
26-4	BLOWER (FLP) SOLENOID (Q1Y-2)	24V		1P	.37A							SONNYS	SCM	N/A				SONNYS	SCM	SCM	GC	
26-5	BLOWER GATOR SOLENOID (Q1Y-2)	24V		1P	.37A							SONNYS	SCM	N/A				SONNYS	SCM	SCM	GC	
26-6	TOP BRUSH RETRACT SOLENOID #840	24V		1P	.27A							SONNYS	SCM	N/A				SONNYS	SCM	SCM	GC	
26-7	BL MAMMOTH PIV. SOLENOID (Q1Y-2)	24V		1P	.27A							SONNYS	SCM	N/A				SONNYS	SCM	SCM	GC	
26-8	WAP MOTOR - B80 (15)	480V	HP	3P	1.65A		15	00				SONNYS	SCM	N/A				SONNYS	SCM	SCM	GC	
26-9	WAP MOTOR - B80 (15)	480V	HP	3P	1.65A		15	00				SONNYS	SCM	N/A				SONNYS	SCM	SCM	GC	
26-10	WAP RETRACT SOLENOID-4.5 (740)	24V		1P	.27A							SONNYS	SCM	N/A				SONNYS	SCM	SCM	GC	
26-11	WAP RETRACT SOLENOID-4.5 (740)	24V		1P	.27A							SONNYS	SCM	N/A				SONNYS	SCM	SCM	GC	
27	PULSE SWITCH	24V		1P								SONNYS	SCM	N/A				SONNYS	SCM	SCM	GC	
27-2	TRUCK BED CONDENSE	24V		1P								SONNYS	SCM	N/A				SONNYS	SCM	SCM	GC	
27-3	LI SOUND SENSOR CONTROL BOX	120V		1P	.25A							SONNYS	SCM	N/A				SONNYS	SCM	SCM	GC	
27-4	CONVERTER PULSE CONTROL BOX	120V		1P	.25A		10					SONNYS	SCM	N/A				SONNYS	SCM	SCM	GC	
28-1	CABLE TRAY	120V		1P	0.57A							SONNYS	SCM	N/A				SONNYS	SCM	SCM	GC	
28-2	PIPE LIGHT, LED #96K (SIGN)	120V		1P	2.5A							SONNYS	SCM	N/A				SONNYS	SCM	SCM	GC	
28-3	UNDER CARriage (SIGN)	120V		1P	2.5A							SONNYS	SCM	N/A				SONNYS	SCM	SCM	GC	
28-4	COLOR FLOWER (SIGN)	120V		1P	2.5A							SONNYS	SCM	N/A				SONNYS	SCM	SCM	GC	
28-5	T.S.A. (SIGN)	120V		1P	2.5A							SONNYS	SCM	N/A				SONNYS	SCM	SCM	GC	
28-6	Fluorid RINSE (SIGN)	120V		1P	2.5A							SONNYS	SCM	N/A				SONNYS	SCM	SCM	GC	
28-7	BLOWER (SIGN)	120V		1P	2.5A		20					SONNYS	SCM	N/A				SONNYS	SCM	SCM	GC	
28-8	(WAT & CO) INSTRUCTIONAL SIGN	120V		1P	2.5A		20					SONNYS	SCM	N/A				SONNYS	SCM	SCM	GC	
28-9	ENTRANCE INSTRUCTIONAL CABINET	120V		1P			20					SONNYS	SCM	N/A				SONNYS	SCM	SCM	GC	
28-10	PRG. RECEIVED SIGN	120V		1P			20					SONNYS	SCM	N/A				SONNYS	SCM	SCM	GC	
28-11	MENU DISPLAY (Q1Y-2)	120V		1P			20					SONNYS	SCM	N/A				SONNYS	SCM	SCM	GC	
28-12	VACUUM PIPE											SONNYS	SCM	N/A				SONNYS	SCM	SCM	N/A	
28-13	VACUUM ROOM (Q1Y-12)											SONNYS	SCM	N/A				SONNYS	SCM	SCM	N/A	
28-14	VACUUM SEPARATOR											SONNYS	SCM	N/A				SONNYS	SCM	SCM	N/A	
28-15	WASHER ASSEMBLY (25HP)	480V	25HP	3P	28A		60	2				SONNYS	SCM	N/A				SONNYS	SCM	SCM	GC	
28-16	WASHER ASSEMBLY (25HP)	480V	25HP	3P	28A		60	2				SONNYS	SCM	N/A				SONNYS	SCM	SCM	GC	
28-17	WASHER ASSEMBLY (25HP)	480V	25HP	3P	28A		60	2				SONNYS	SCM	N/A				SONNYS	SCM	SCM	GC	
28-18	WASHER ASSEMBLY (25HP)	480V	25HP	3P	28A		60	2				SONNYS	SCM	N/A				SONNYS	SCM	SCM	GC	
28-19	WASHER ASSEMBLY (25HP)	480V	25HP	3P	28A		60	2				SONNYS	SCM	N/A				SONNYS	SCM	SCM	GC	
28-20	WASHER ASSEMBLY (25HP)	480V	25HP	3P	28A		60	2				SONNYS	SCM	N/A				SONNYS	SCM	SCM	GC	
28-21	WASHER ASSEMBLY (25HP)	480V	25HP	3P	28A		60	2				SONNYS	SCM	N/A				SONNYS	SCM	SCM	GC	
28-22	WASHER ASSEMBLY (25HP)	480V	25HP	3P	28A		60	2				SONNYS	SCM	N/A				SONNYS	SCM	SCM	GC	
28-23	WASHER ASSEMBLY (25HP)	480V	25HP	3P	28A		60	2				SONNYS	SCM	N/A				SONNYS	SCM	SCM	GC	
28-24	WASHER ASSEMBLY (25HP)	480V	25HP	3P	28A		60	2				SONNYS	SCM	N/A				SONNYS	SCM	SCM	GC	
28-25	WASHER ASSEMBLY (25HP)	480V	25HP	3P	28A		60	2				SONNYS	SCM	N/A				SONNYS	SCM	SCM	GC	
28-26	WASHER ASSEMBLY (25HP)	480V	25HP	3P	28A		60	2				SONNYS	SCM	N/A				SONNYS	SCM	SCM	GC	
28-27	WASHER ASSEMBLY (25HP)	480V	25HP	3P	28A		60	2				SONNYS	SCM	N/A				SONNYS	SCM	SCM	GC	
28-28	WASHER ASSEMBLY (25HP)	480V	25HP	3P	28A		60	2				SONNYS	SCM	N/A				SONNYS	SCM	SCM	GC	
28-29	WASHER ASSEMBLY (25HP)	480V	25HP	3P	28A		60	2				SONNYS	SCM	N/A				SONNYS	SCM	SCM	GC	
28-30	WASHER ASSEMBLY (25HP)	480V	25HP	3P	28A		60	2				SONNYS	SCM	N/A				SONNYS	SCM	SCM	GC	
28-31	WASHER ASSEMBLY (25HP)	480V	25HP	3P	28A		60	2				SONNYS	SCM	N/A				SONNYS	SCM	SCM	GC	
28-32	WASHER ASSEMBLY (25HP)	480V	25HP	3P	28A		60	2				SONNYS	SCM	N/A				SONNYS	SCM	SCM	GC	
28-33	WASHER ASSEMBLY (25HP)	480V	25HP	3P	28A		60	2				SONNYS	SCM	N/A				SONNYS	SCM	SCM	GC	
28-34	WASHER ASSEMBLY (25HP)	480V	25HP	3P	28A		60	2				SONNYS	SCM	N/A				SONNYS	SCM	SCM	GC	
28-35	WASHER ASSEMBLY (25HP)	480V	25HP	3P	28A		60	2				SONNYS	SCM	N/A				SONNYS	SCM	SCM	GC	
28-36	WASHER ASSEMBLY (25HP)	480V	25HP	3P	28A		60	2				SONNYS	SCM	N/A				SONNYS	SCM	SCM	GC	
28-37	WASHER ASSEMBLY (25HP)	480V	25HP	3P	28A		60	2				SONNYS	SCM	N/A				SONNYS	SCM	SCM	GC	
28-38	WASHER ASSEMBLY (25HP)	480V	25HP	3P	28A		60	2				SONNYS	SCM	N/A				SONNYS	SCM	SCM	GC	
28-39	WASHER ASSEMBLY (25HP)	480V	25HP	3P	28A		60	2				SONNYS	SCM	N/A				SONNYS	SCM	SCM	GC	
28-40	WASHER ASSEMBLY (25HP)	480V	25HP	3P	28A		60	2				SONNYS	SCM	N/A				SONNYS	SCM	SCM	GC	
28-41	WASHER ASSEMBLY (25HP)	480V	25HP	3P	28A		60	2				SONNYS	SCM	N/A				SONNYS	SCM	SCM	GC	
28-42	WASHER ASSEMBLY (25HP)	480V	25HP	3P	28A		60	2				SONNYS	SCM	N/A				SONNYS	SCM	SCM	GC	
28-43	WASHER ASSEMBLY (25HP)	480V	25HP	3P	28A		60	2				SONNYS	SCM	N/A				SONNYS	SCM	SCM	GC	
28-44	WASHER ASSEMBLY (25HP)	480V	25HP	3P	28A		60	2				SONNYS	SCM	N/A				SONNYS	SCM	SCM	GC	
28-45	WASHER ASSEMBLY (25HP)	480V	25HP	3P	28A		60	2				SONNYS	SCM	N/A				SONNYS	SCM	SCM	GC	
28-46	WASHER ASSEMBLY (25HP)	480V	25HP	3P	28A		60	2				SONNYS	SCM	N/A				SONNYS	SCM	SCM	GC	
28-47	WASHER ASSEMBLY (25HP)	480V	25HP	3P	28A		60	2				SONNYS	SCM	N/A				SONNYS	SCM	SCM	GC	
28-48	WASHER ASSEMBLY (25HP)	480V	25HP	3P	28A		60	2				SONNYS	SCM	N/A				SONNYS	SCM	SCM	GC	
28-49	WASHER ASSEMBLY (25HP)	480V	25HP	3P	28A		60	2				SONNYS	SCM	N/A				SONNYS	SCM	SCM	GC	
28-50	WASHER ASSEMBLY (25HP)	480V	25HP	3P	28A		60	2				SONNYS	SCM	N/A				SONNYS	SCM	SCM	GC	
28-51	WASHER ASSEMBLY (25HP)	480V	25HP	3P	28A		60	2				SONNYS	SCM	N/A				SONNYS	SCM	SCM	GC	
28-52	WASHER ASSEMBLY (25HP)	480V	25HP	3P	28A		60	2				SONNYS	SCM	N/A				SONNYS	SCM	SCM	GC	
28-53	WASHER ASSEMBLY (25HP)	480V	25HP	3P	28A		60	2				SONNYS	SCM	N/A				SONNYS	SCM	SCM	GC	
28-54	WASHER ASSEMBLY (25HP)	480V	25HP	3P	28A		60	2				SONNYS	SCM	N/A				SONNYS	SCM	SCM	GC	
28-55	WASHER ASSEMBLY (25HP)	480V																				

# Make CarWashing Easy



**DISCLAIMER**  
ALTHOUGH BUILDING COSTS HAVE BEEN CONSIDERED IN DEVELOPING THIS DRAWING, VERIFICATION OF ALL OTHER BUILDING CODES AND LOCAL REGULATIONS ARE THE RESPONSIBILITY OF THE ARCHITECT AND/OR ENGINEER. THESE DRAWINGS REFLECT REQUIREMENTS FOR SONNY'S EQUIPPED EQUIPMENT ONLY UNLESS OTHERWISE NOTED. PLEASE REFER TO OTHER MANUFACTURERS, IF ANY, FOR THEIR EQUIPMENT REQUIREMENTS.

**CONFIDENTIAL WARNING:**  
THIS SHEET CONTAINS AND CONSTITUTES CONFIDENTIAL INFORMATION, IMAGES AND TRADE SECRETS OF SONNY'S ENTERPRISES INC. ANY UNAUTHORIZED USE OR DISCLOSURE OF ANY OR PORTION THEREOF IS STRICTLY PROHIBITED. THIS WORK IS THE EXCLUSIVE PROPERTY OF SONNY'S ENTERPRISES INC. ALL RIGHTS RESERVED.

21181-D3-Tulalip Tribe  
SCALE: N.T.S. LOCATION: -WA-

Sheet 6.0  
Rev. -1-

## RENDERED TUNNEL LAYOUT



DATE:	03.03.21
REVISION DATE:	10.25.21
CREATED BY:	LV
REVISED BY:	ADC
APPROVED BY:	FAO

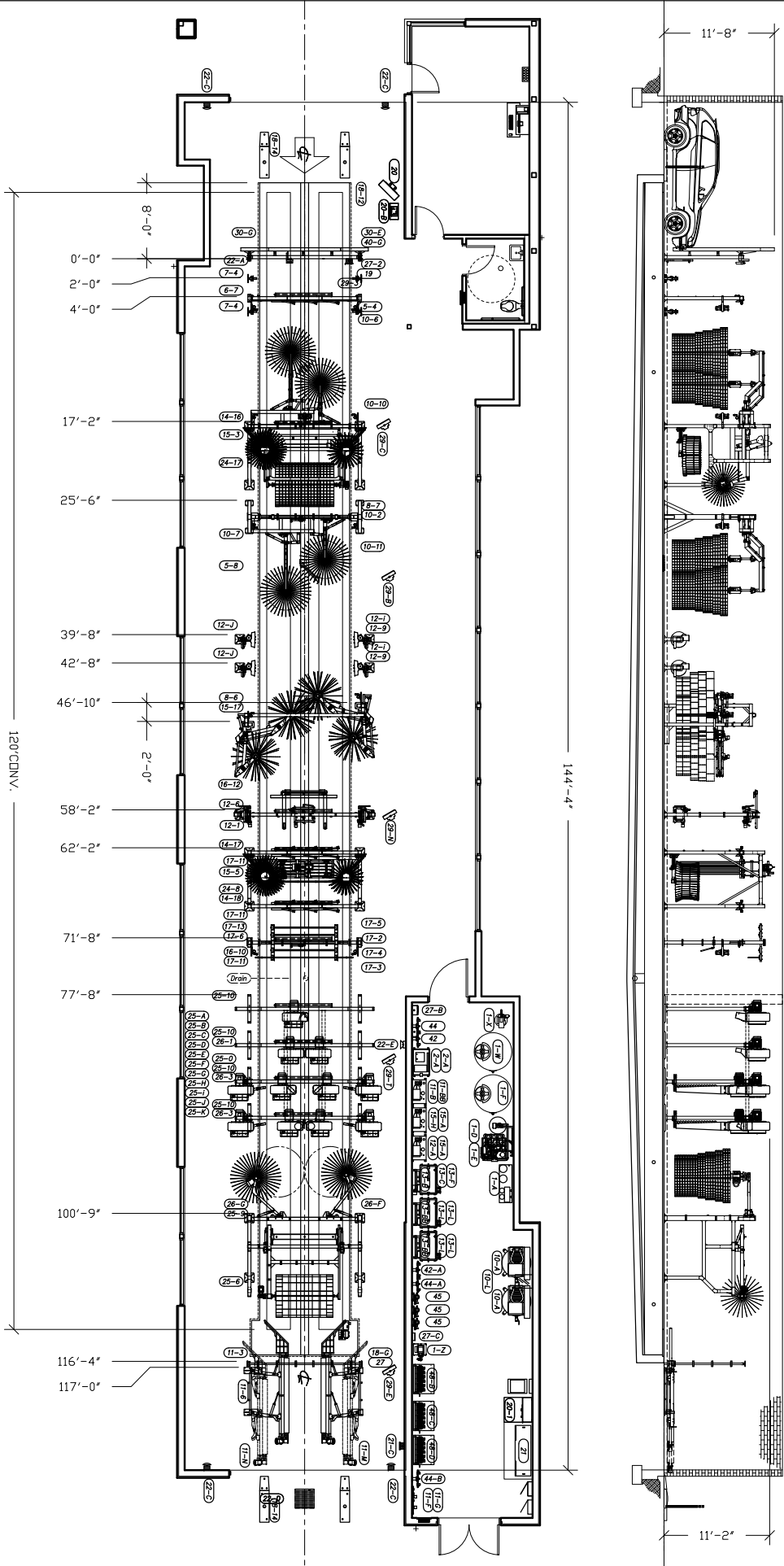
**DISCLAIMER**  
 ALL RIGHTS RESERVED. THESE DRAWINGS REFLECT REQUIREMENTS FOR SONNY'S EXPRESS EQUIPMENT ONLY, UNLESS OTHERWISE NOTED. PLEASE REFER TO OTHER DRAWINGS AND ORDERS, IF ANY, FOR THEIR EQUIPMENT REQUIREMENTS.

**CONFIDENTIAL WARNING:**  
 THIS SHEET CONTAINS AND CONSTITUTES CONFIDENTIAL INFORMATION, IMAGES AND TRADE SECRETS OF SONNY'S ENTERPRISES INC. ANY UNAUTHORIZED USE OR DISCLOSURE OF ANY OR PORTION HEREOF IS STRICTLY PROHIBITED. THIS WORK IS THE EXCLUSIVE PROPERTY OF SONNY'S ENTERPRISES INC. ALL RIGHTS RESERVED.

21181-D3-Tulalip Tribe  
 SCALE: 3/32"=1'  
 LOCATION: -WA-

Sheet 6.1  
 Rev. -1-

NOT FOR CONSTRUCTION UNTIL APPROVED BELOW.  
 APPROVED BY: \_\_\_\_\_ DATE: \_\_\_\_\_



EQUIPMENT LAYOUT



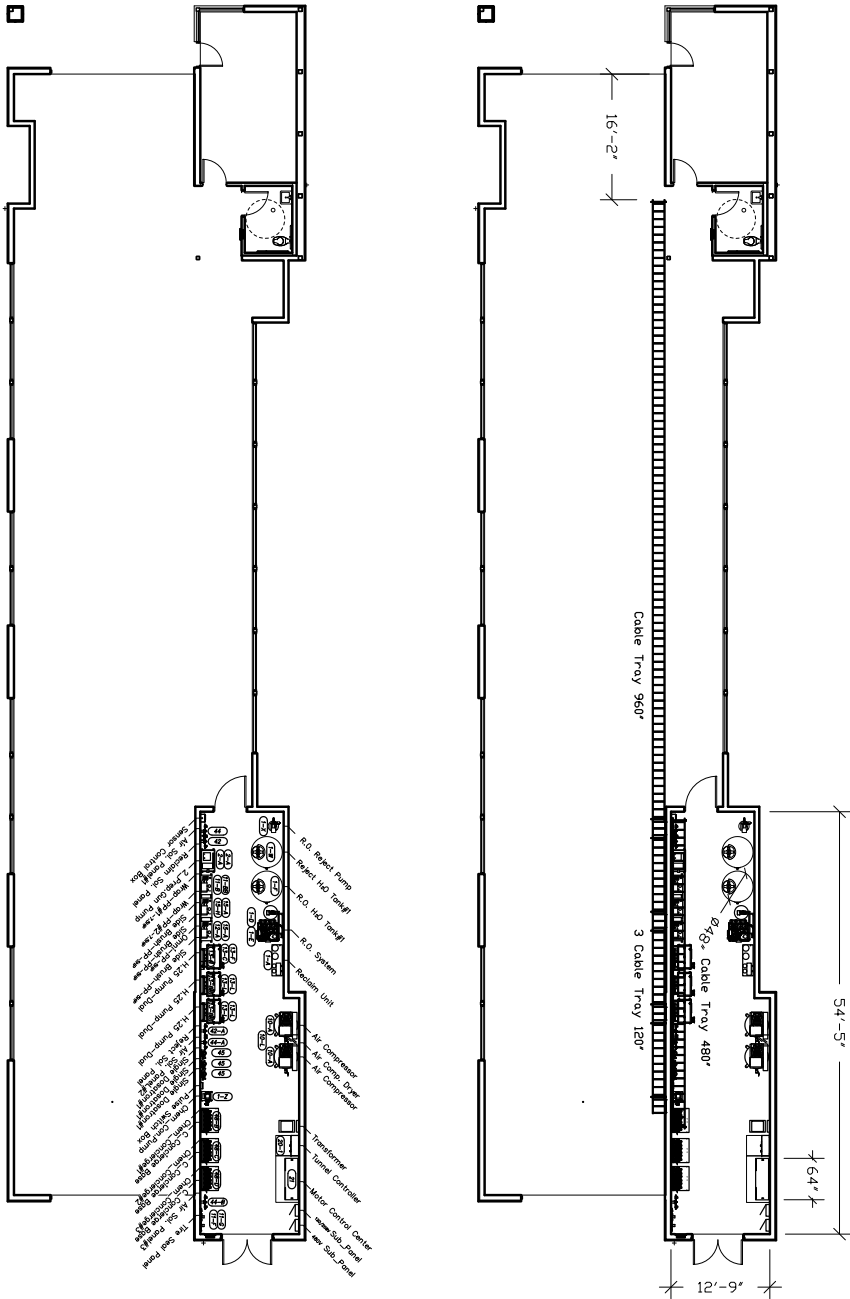
DATE: 03.03.21  
 REVISION DATE: 10.25.21  
 CREATED BY: LV  
 REVISED BY: ADC  
 APPROVED BY: FAO

DISCLAIMER: BUILDING COSTS HAVE BEEN CONSIDERED IN DEVELOPING THIS DRAWING. VARIATION OF ALTHOUGH THE BUILDING COSTS AND CONSTRUCTION METHODS ARE NOT GUARANTEED. THE EXCLUSIVE RESPONSIBILITY OF THE CUSTOMER AND/OR ARCHITECT AND ENGINEER. THESE DRAWINGS REFLECT REQUIREMENTS FOR SONNY'S EQUIPPED EQUIPMENT ONLY UNLESS OTHERWISE NOTED. PLEASE REFER TO OTHER DRAWINGS AND ORDERS, IF ANY, FOR THEIR EQUIPMENT REQUIREMENTS.

CONFIDENTIAL WARNING: THIS SHEET CONTAINS AND CONSTITUTES CONFIDENTIAL INFORMATION, IMAGES AND TRADE SECRETS OF SONNY'S ENTERPRISES, INC. ANY UNAUTHORIZED USE OR DISCLOSURE OF ANY OR PORTION THEREOF IS STRICTLY PROHIBITED. THIS WORK IS THE EXCLUSIVE PROPERTY OF SONNY'S ENTERPRISES, INC. ALL RIGHTS RESERVED.

21181-D3-Tulalip Tribe  
 SCALE: 1/16"=1'  
 LOCATION: -WA-

Sheet 7.1  
 Rev. -1-

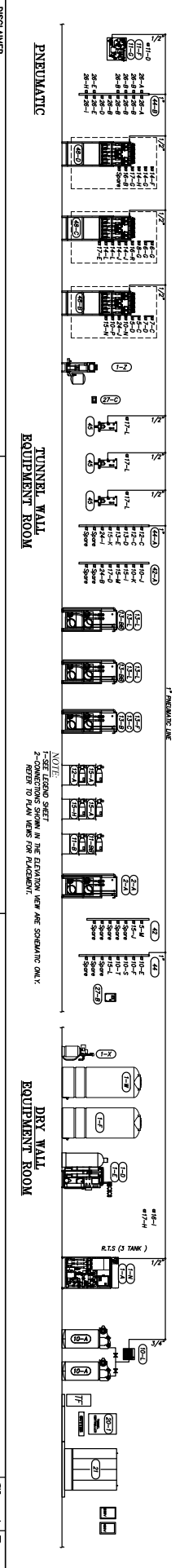
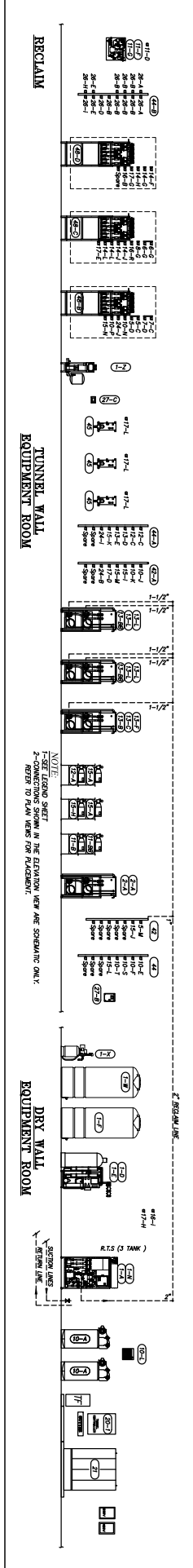
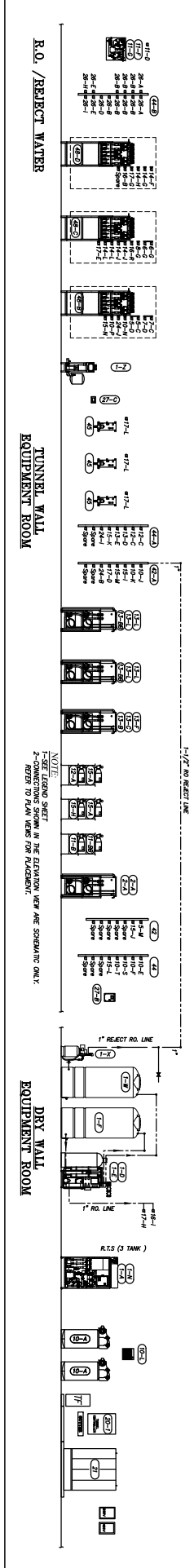
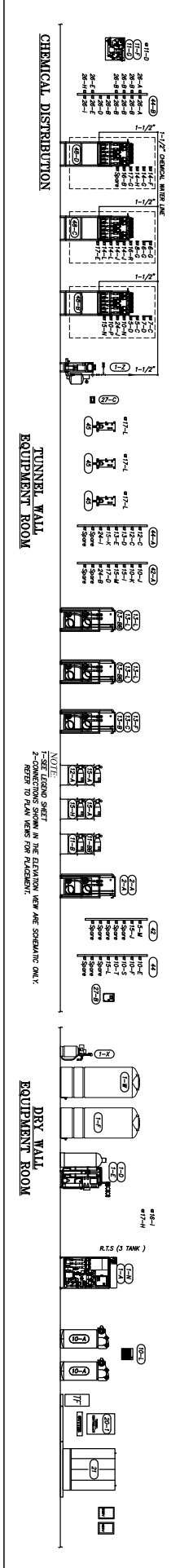
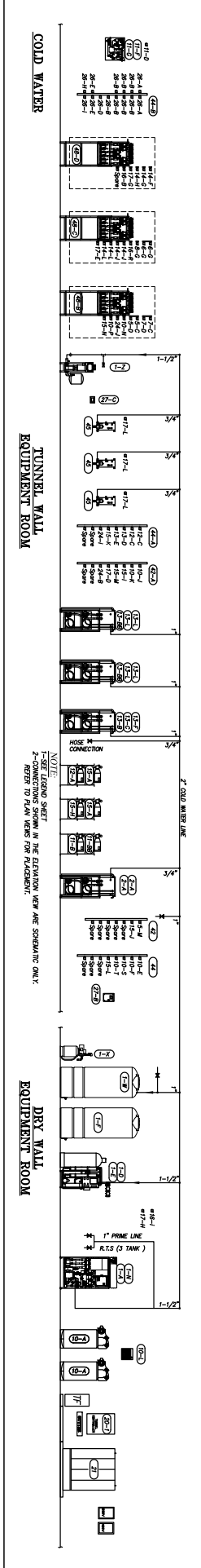


DESCRIPTION	Qty
Troy, 4 X 18 X 120, 12" Spacing	15
Troy, Mini Horizontal Tee, no radius	4
Troy, Wall Pass Throught Bracket, 18" wide, 6" high	4

EQ. SUPPORT DESCRIPTION



DATE:	03.03.21
REVISION DATE:	10.25.21
CREATED BY:	LV
REVISED BY:	ADC
APPROVED BY:	FAO



**DISCLAIMER**  
 ALL RIGHTS RESERVED. THIS SHEET CONTAINS AND CONSTITUTES CONFIDENTIAL INFORMATION, IMAGES AND TRADE SECRETS OF SONNY'S ENTERPRISES INC. ANY UNAUTHORIZED USE OR DISCLOSURE OF ANY OF THE INFORMATION HEREON IS STRICTLY PROHIBITED. THIS WORK IS THE EXCLUSIVE PROPERTY OF SONNY'S ENTERPRISES INC. ALL RIGHTS RESERVED.

**CONFIDENTIAL WARNING**  
 THIS SHEET CONTAINS AND CONSTITUTES CONFIDENTIAL INFORMATION, IMAGES AND TRADE SECRETS OF SONNY'S ENTERPRISES INC. ANY UNAUTHORIZED USE OR DISCLOSURE OF ANY OF THE INFORMATION HEREON IS STRICTLY PROHIBITED. THIS WORK IS THE EXCLUSIVE PROPERTY OF SONNY'S ENTERPRISES INC. ALL RIGHTS RESERVED.

**21181-D3-Tulalip Tribe**  
 SCALE: N.T.S. LOCATION: -WA-

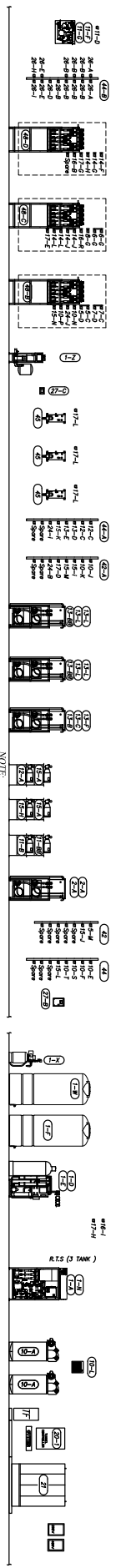
Sheet 8.1 Rev. -+-

PLUMBING; GC



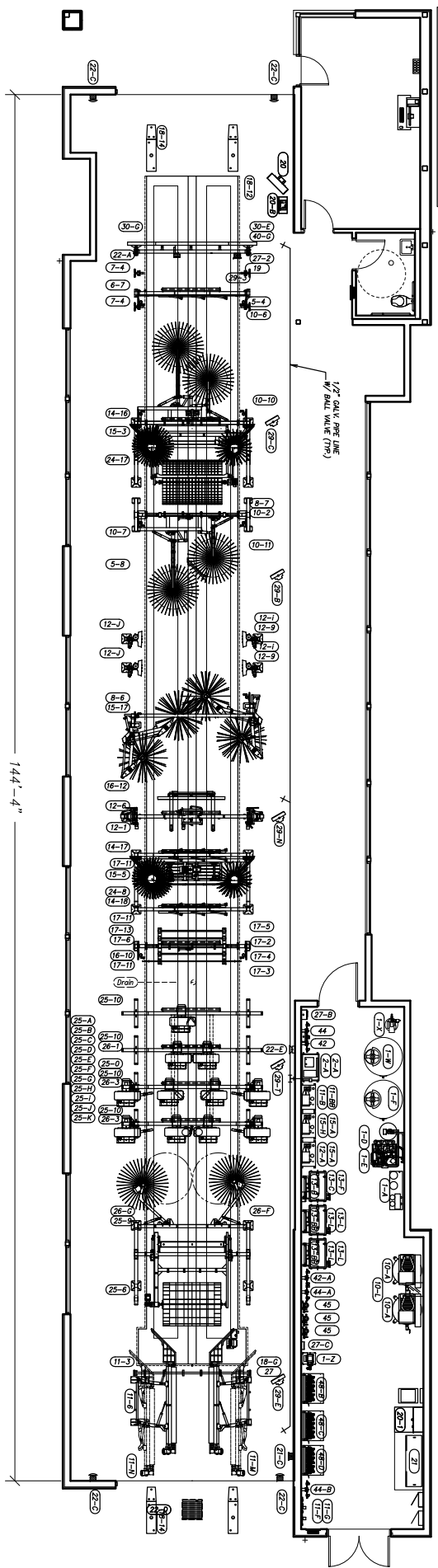
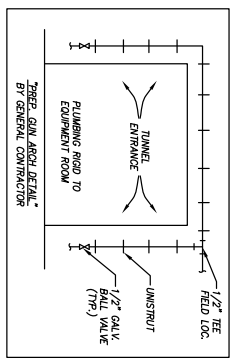
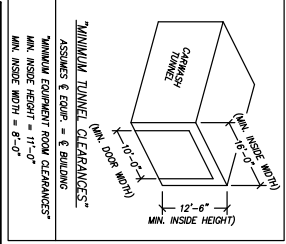
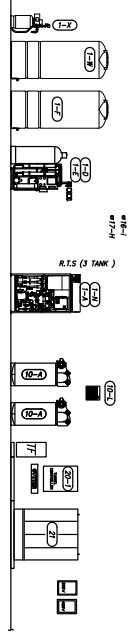
DATE:	03.03.21
REVISION DATE:	10.25.21
CREATED BY:	LV
REVISED BY:	ADC
APPROVED BY:	FAO

TUNNEL WALL  
EQUIPMENT ROOM



NOTE:  
-SET LEGEND SHEET  
-Z-COMPLETION ROOM IN THE ELEVATION VIEW ARE SCHEMATIC ONLY.  
REFER TO SAN FROM THE PLANVIEW.

DRX WALL  
EQUIPMENT ROOM



**DISCLAIMER**  
ALL PIPING, BUILDING CODES HAVE BEEN CONSIDERED IN DEVELOPING THIS PLUMBING, VENTILATION OR AIRFLOW PLAN. SONNY'S ENTERPRISES, INC. AND/OR ARCHITECT AND/OR ENGINEER SHALL BE RESPONSIBLE FOR THE EXCLUSIVE RESPONSIBILITY OF THE CUSTOMER AND/OR ARCHITECT AND/OR ENGINEER. THESE DRAWINGS REFLECT REQUIREMENTS FOR SONNY'S EQUIPMENTS ONLY, UNLESS OTHERWISE NOTED. PLEASE REFER TO OTHER DRAWINGS FOR OTHERS, IF ANY, FOR THEIR EQUIPMENT REQUIREMENTS.

**CONFIDENTIAL WARNING:**  
THIS SHEET CONTAINS AND CONSTITUTES CONFIDENTIAL INFORMATION, TRADE SECRETS OR SONNY'S ENTERPRISES, INC. ANY UNAUTHORIZED USE OR DISCLOSURE OF ANY OR PORTION THEREOF IS STRICTLY PROHIBITED. THIS WORK IS THE EXCLUSIVE PROPERTY OF SONNY'S ENTERPRISES, INC. ALL RIGHTS RESERVED.

21181-D3-Tulalip Tribe  
SCALE: 3/32"=1'  
LOCATION: -WA-

NOT FOR CONSTRUCTION UNTIL APPROVED BELOW.  
APPROVED BY: \_\_\_\_\_ DATE: \_\_\_\_\_

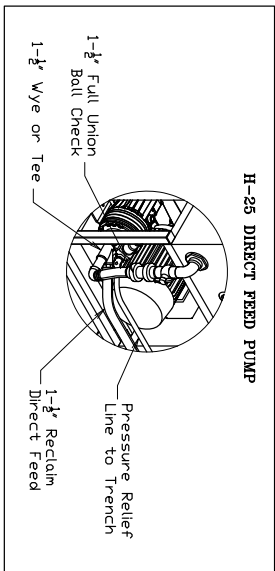
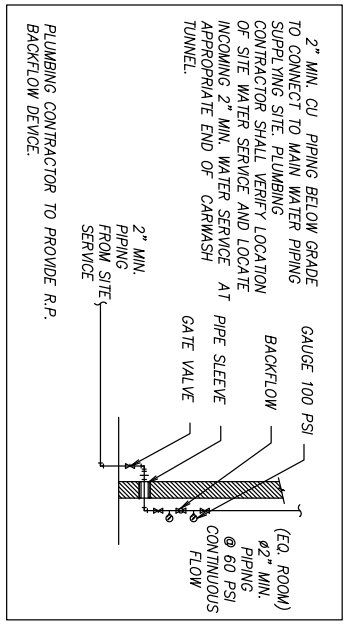
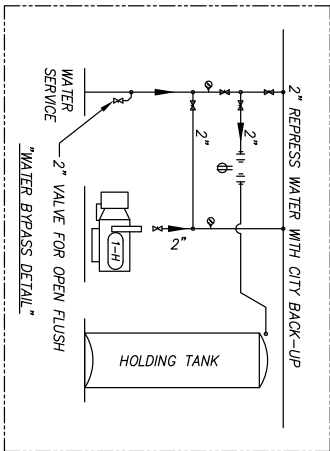
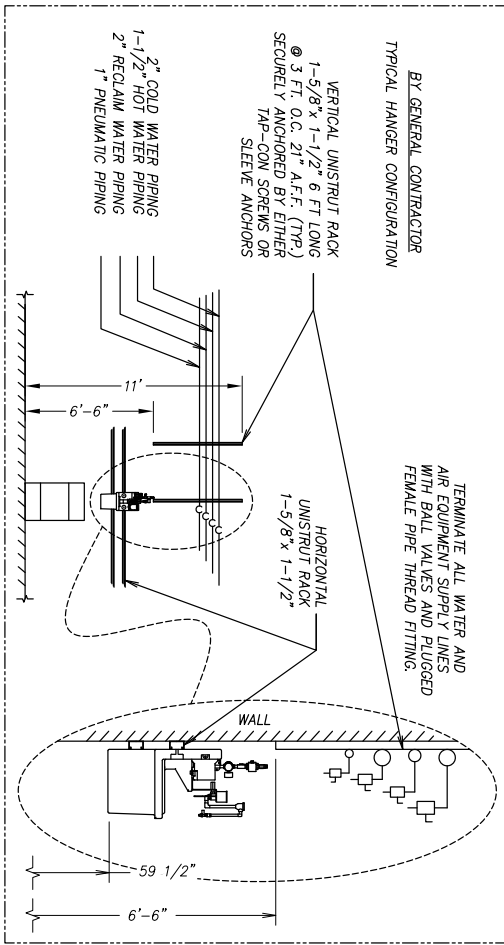
Sheet Rev.  
8.3 -1-

PREP-GUN PLUMBING; GC



DATE:	03.03.21
REVISION DATE:	10.25.21
CREATED BY:	LV
REVISED BY:	ADC
APPROVED BY:	FAO





DISCLAIMER: ALL DIMENSIONS AND NOTES ON THIS SHEET HAVE BEEN CONSIDERED IN DEVELOPING THIS DRAWING. VARIATION OF MATERIALS, WORKMANSHIP, AND CONSTRUCTION METHODS ARE NOT TO BE CONSIDERED AS A BASIS FOR CLAIMS. THESE DRAWINGS REFLECT REQUIREMENTS FOR SONNY'S EQUIPMENT ONLY, UNLESS OTHERWISE NOTED. PLEASE REFER TO OTHER MANUALS AND ORDERS, IF ANY, FOR THEIR EQUIPMENT REQUIREMENTS.

CONFIDENTIAL WARNING: THIS SHEET CONTAINS AND CONSTITUTES CONFIDENTIAL INFORMATION, IMAGES AND TRADE SECRETS OF SONNY'S ENTERPRISES, INC. ANY UNAUTHORIZED USE OR DISCLOSURE OF ANY OR PORTION THEREOF OR SONNY'S ENTERPRISES, INC. THIS WORK IS THE EXCLUSIVE PROPERTY OF SONNY'S ENTERPRISES, INC. ALL RIGHTS RESERVED.

21181-D3-Tulalip Tribe  
SCALE: N.T.S. LOCATION: -WA-

NOT FOR CONSTRUCTION UNTIL APPROVED BELOW.  
APPROVED BY: \_\_\_\_\_ DATE: \_\_\_\_\_

Sheet 8.5  
Rev. -4-

LEGEND



DATE:	03.03.21
REVISION DATE:	10.25.21
CREATED BY:	LV
REVISED BY:	ADC
APPROVED BY:	FAO

GC = GENERAL CONTRACTOR  
SCM = SONNY'S (CARWASH INSTALLER)  
10/21/19

**PLUMBING & MECHANICAL SPECIFICATIONS**  
**GENERAL CONTRACTOR**

1. THE WORK SHALL CONSIST OF FINISHING LABOR, EQUIPMENT, AND MATERIALS TO PROVIDE THE COMPLETE INTEGRATED AND PROPER FUNCTIONING SYSTEMS AS SHOWN ON THE DRAWINGS.
2. SCOPE OF WORK INCLUDES, BUT IS NOT LIMITED TO, FINISHING, INSTALLING AND MAINTAINING PER THESE DRAWINGS, AND SONNY'S INSTALLATION MANUALS.
3. THE GENERAL CONTRACTOR SHALL COORDINATE HIS WORK WITH THAT OF OTHER TRADES SO AS TO AVOID INTERFERENCE.
4. THE DRAWINGS ARE DIAGRAMMATIC AND INDICATE GENERAL LAYOUT OF PLUMBING SYSTEMS. FIELD VERIFICATIONS OF DIMENSIONS IS DIRECTED.
5. SECURE PERMITS AND INSPECTIONS REQUIRED BY STATE AND LOCAL LAWS AND ORDINANCES.
6. UPON COMPLETION OF THE WORK, FURNISH TO THE OWNER CERTIFICATES OF FINAL INSPECTIONS AND APPROVALS FROM AUTHORITIES HAVING JURISDICTION.
7. ALL WORK SHALL BE GUARANTEED FOR A PERIOD OF ONE (1) YEAR FROM THE DATE OF FINAL ACCEPTANCE BY THE OWNER.
8. DESCRIPTION
  - A. COMPLETE THE PLANS AND SPECIFICATIONS IS TO OBTAIN ALL NECESSARY PERMITS, ADJUSTED AND READY FOR OPERATION.
  - B. CHECK, VERIFY AND COORDINATE THE INSTALLATION WITH THE WORK OF OTHER TRADES, INCLUDE MODIFICATIONS, RELOCATIONS OR ADJUSTMENTS NECESSARY TO COMPLETE WORK OR TO AVOID INTERFERENCES.
9. RECORD DRAWINGS
  - A. MAINTAIN AND PROVIDE, ON REQUEST, COMPLETE UP-TO-DATE RECORD DRAWINGS.
  - B. GUARANTEE FOR ONE YEAR AFTER OWNER ACCEPTANCE. ALL MATERIALS, EQUIPMENT AND WORKMANSHIP BE SUBJECT OF THE SYSTEMS FOUND DEFECTIVE. RESTORE WORK DISTURBED WHICH IS GUARANTEED UNDER CONTRACT.
10. OPERATIONAL AND INSPECTIONS
  - A. OBTAIN AND PAY FOR ALL REQUIRED INSTALLATION INSPECTIONS AND DELIVER CERTIFICATES APPROVING INSTALLATION TO THE OWNER.
  - B. DETERMINE UTILITY REQUIREMENTS, INCLUDING TEMPORARY, AND INCLUDE ALL COSTS.
11. SHOP DRAWINGS
  - A. SUBMIT SHOP DRAWINGS FOR ALL EQUIPMENT AND SYSTEMS.
  - B. INSTALL ALL WORK TO PERMIT ACCESS TO EQUIPMENT FOR MAINTENANCE.
12. CUTTING AND PATCHING
  - A. ALL CUTTING AND PATCHING IS BY THIS CONTRACTOR INCLUDING NECESSARY MATERIALS REQUIRED, UNLESS OTHERWISE NOTED.
  - B. HOUSEKEEPING AND CLEANUP
  - C. PERIODICALLY REMOVE WASTE MATERIALS AND LEAVE AREAS OF WORK ROOM CLEAN.

20. PLUMBING SYSTEMS
  - 2.1. REQUIRRED LOCATIONS
    1. WATER CARRYING PIPE SHALL NOT BE INSTALLED OVER SWITCH GEAR OR ELECTRICAL EQUIPMENT.
  - 2.2. PROTECTIVE CHASSES
    1. PIPE AND FITTINGS
    2. ABOVE AND BELOW GRADE: SCHEDULE-40 PVC DWV CONFORMING TO ASTM D2665-82.
  - 2.3. WATER DISTRIBUTION
    - A. PIPE AND FITTINGS
      1. COPPER: TYPE-K, BELOW GROUND, TYPE-L, ABOVE GROUND, WROUGHT COPPER OR BRONZE SWEAT FITTINGS WITH LEAD FREE SOLDER.
      2. COPPER PIPING SHALL NOT COME IN CONTACT WITH CONCRETE, PROVIDE INSULATING MATERIAL BETWEEN THE PIPE AND CONCRETE AT ALL REQUIRED LOCATIONS.
    - B. VALVES
      1. BALL VALVES TWO INCHES (2") AND SMALLER, BY MILWAUKEE (OR APPROVED EQUAL) MODEL #9A-150 RATED AT 150 SWP, 600 CWP. BODY OF ASTM B-594 BRONZE WITH COPPER PLATED ASTM B-62 BRONZE BALL WITH GLASS REINFORCED FIBER REINFORCED STEEL. TALL PORT FLOW AND ADJUSTABLE PACKING NUT.
      2. GATE VALVES TWO INCHES (2") AND SMALLER. MNS, MSS SP-80, CLASS 125 (125 SWP/200 CWP). BODY BONNET AND STEM OF ASTM B-62 BRONZE. THERATED ENDS TO ANSI B120.1, SOLDER ENDS TO ANSI B16.18, SQUID WEDGE END TO ANSI B16.11, 150 LB. FLANGES TO ASME B16.5 AND MALLEABLE IRON HANDWHEEL.
      3. GATE VALVES TWO AND ONE-HALF INCHES (2-1/2") AND LARGER. MNS, MSS SP-70, CLASS 125 (125 SWP/200 CWP). BODY AND BONNET OF ASTM A128 CLASS B CAST IRON, ASTM B-16 BRASS STEM AND ASTM B-62 BRONZE NON-ASBESTOS PACKED ENDS TO ANSI B16.1.
21. DISMISSAL METALS
  1. INSTALL APPROVED DIELECTRIC UNIONS BETWEEN ALL CONNECTIONS OF DISSIMILAR METALS.

24. CAR WASH CHASE W/1, DRAINS AND SUPPLY LINES
  1. RECLAIMATION DRAINAGE PIPE, SECTION LINES AND OZONE TREATMENT LINES AND FITTINGS.
    1. (IF PERMITTED BY LOCAL OR APPLICABLE CODES) ALL RECLAIM DRAINAGE LINES, SECTION LINES, OZONE TREATMENT LINES AND RELATED PIPING SHALL BE INSTALLED WITH 10% SLOPE TO THE MAIN DRAINAGE CONFORMING TO ASTM D-1785-83.
    2. MECHANICAL ENGINEER TO VERIFY LOCAL OR APPLICABLE CODES AND SPECIFY ALTERNATE MATERIAL IF PVC IS NOT PERMITTED.
25. PNEUMATIC LINES
  1. PNEUMATIC SUPPLY LINES
    1. ALL PNEUMATIC SUPPLY LINES SHALL BE TYPE-K COPPER TUBE WITH WROUGHT COPPER OR BRONZE SWEAT FITTINGS ABOVE GRADE. NO FITTINGS SHALL BE ALLOWED BELOW GRADE.
    2. ALL PNEUMATIC SUPPLY LINES BELOW GRADE SHALL BE ENCASED IN SCHEDULE-40 CHASEWAYS.
  2. HYDRAULIC HOSE
    1. ALL HYDRAULIC HOSE SHALL BE SAE-100R7 BY SWINLEX (OR APPROVED EQUAL) WITH 2,000 PSI WORKING PRESSURE, 10,000 PSI BURST PRESSURE, SCHEDULE-40 PVC CHASEWAYS.
  3. PRESSURE TEST
    1. LEAVE UNCOVERED AND UNCONCEALED ALL WATER DISTRIBUTION PIPING FOR TESTING AND APPROVED. OPERATE ALL STOP VALVES FOR TESTS THAT AS COVERED OR CONCEALED BEFORE IT HAS BEEN TESTED AND APPROVED.
    2. CAP AND SUBJECT THE PIPING SYSTEM TO A STATIC WATER PRESSURE OF 150 PSIG WITHOUT EXCEEDING THE PRESSURE RATING OF THE PIPING SYSTEM MATERIALS. ISOLATE THE TEST SOURCE AND ALLOW TO STAND FOR A PERIOD OF FOUR HOURS. LEAKS AND LOSS IN TEST PRESSURE SHALL BE REPAIRED AND RE-TESTED. REPAIRS AND RE-TEST SHALL BE RECORDED AND REPORTED TO THE OWNER.
    3. TESTING REQUIREMENTS ARE MINIMUM AND ARE NOT INTENDED TO BE LIMITING WHERE ADDITIONAL TESTING METHODS ARE REQUIRED BY THE AUTHORITY HAVING JURISDICTION.
26. WATER HEATING
  - A. SONNY'S PROVIDED EQUIPMENT
    1. THE GENERAL CONTRACTOR SHALL DESIGNATED SUBCONTRACTOR SHALL OBTAIN A BILL OF MATERIALS FROM SONNY'S FOR EQUIPMENT BEING SUPPLIED BY SONNY'S.
  - B. INSTALLATION & CONNECTIONS
    1. GENERAL CONTRACTOR OR HIS DESIGNATED SUBCONTRACTOR SHALL INSTALL ALL TUBING, MANIFOLDS, VALVES, VALVES BOXES, HEATERS, BOILERS, STORAGE TANKS, PUMPS, AND RELATED PIPING AND INSTALLATION. ALL PIPING SHALL BE INSTALLED AND INSTALLED NECESSARY ALL GAS SUPPLY PIPING AND CONDENSING, VENTING AND ANY INTERCONNECTING PIPING FROM MANIFOLDS, BOXES, PUMP, HEATERS OR RELATED EQUIPMENT W/SUITABLE SPEC. MATERIALS.

NOT FOR CONSTRUCTION UNTIL APPROVED BELOW.  
APPROVED BY: \_\_\_\_\_ DATE: \_\_\_\_\_

**DISCLAIMER**  
ALTHOUGH BUILDING CODES HAVE BEEN CONSIDERED IN DEVELOPING THIS DRAWING, VERIFICATION OF ALL APPLICABLE BUILDING CODES AND ORDINANCES IS THE RESPONSIBILITY OF THE CONTRACTOR. THESE DRAWINGS REFLECT REQUIREMENTS FOR SONNY'S EQUIPMENT ONLY, UNLESS OTHERWISE NOTED. PLEASE REFER TO OTHER MANUFACTURERS, IF ANY, FOR THEIR EQUIPMENT REQUIREMENTS.

**CONFIDENTIAL WARNING:**  
THIS SHEET CONTAINS AND CONSTITUTES CONFIDENTIAL INFORMATION, TRADE SECRETS OR SONNY'S ENTERPRISES INC. ANY UNAUTHORIZED USE OR DISCLOSURE OF ANY PORTION HEREOF, WITHOUT THE WRITTEN PERMISSION OF SONNY'S ENTERPRISES INC. THIS WORK IS THE EXCLUSIVE PROPERTY OF SONNY'S ENTERPRISES INC. ALL RIGHTS RESERVED.

21181-D3-Tulalip Tribe  
SCALE: N.T.S.  
LOCATION: WA--

Sheet 8.6  
Rev. --

**DIVISION OF WORK**  
**PLUMBING**



DATE:	03.03.21
REVISION DATE:	10.25.21
CREATED BY:	LV
REVISED BY:	ADC
APPROVED BY:	FAO



**DISCLAIMER**  
 ALL PRICING BUILDING COSTS HAVE BEEN CONSIDERED IN DEVELOPING THIS DRAWING. VARIATION OF  
 MATERIALS, FINISHES, AND CONSTRUCTION METHODS MAY OCCUR. THE CONTRACTOR SHALL BE RESPONSIBLE FOR  
 THESE DRAWINGS REFLECT REQUIREMENTS FOR SONNY'S EXHIBITED EQUIPMENT ONLY UNLESS OTHERWISE  
 NOTED. PLEASE REFER TO OTHER DRAWINGS AND ORDERS, IF ANY, FOR THEIR EQUIPMENT REQUIREMENTS.

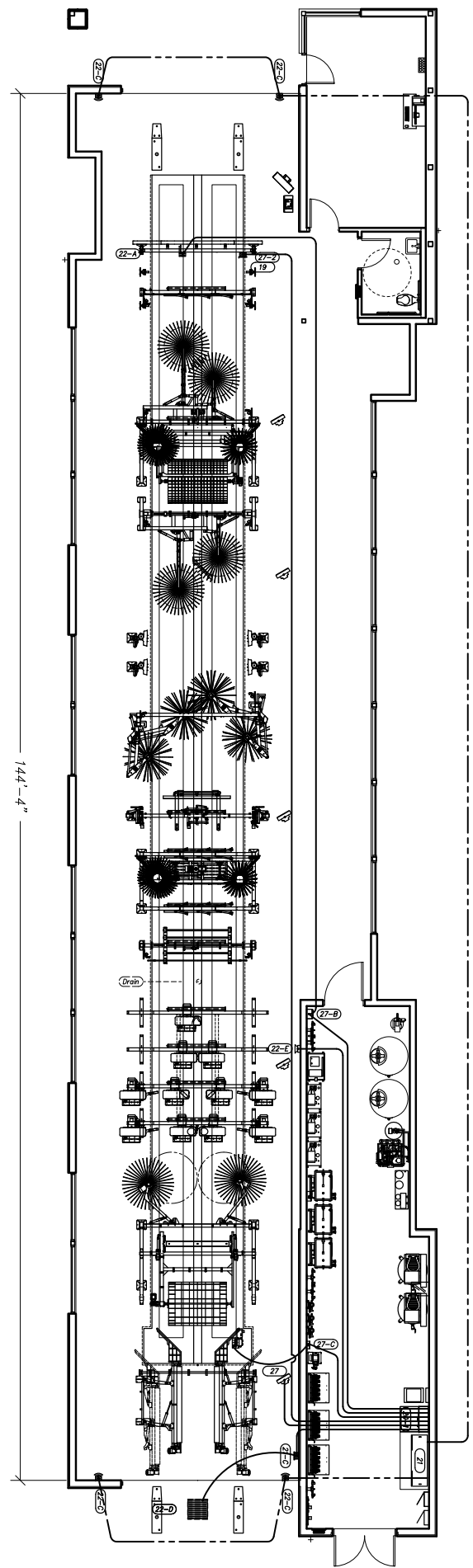
**CONFIDENTIAL WARNING:**  
 THIS SHEET CONTAINS AND CONSTITUTES CONFIDENTIAL INFORMATION, IMAGES AND TRADE SECRETS  
 OF SONNY'S ENTERPRISES, INC. ANY UNAUTHORIZED USE OR DISCLOSURE OF ANY OR PORTION THEREOF  
 WITHOUT THE WRITTEN PERMISSION OF SONNY'S ENTERPRISES, INC. IS STRICTLY PROHIBITED. THIS WORK IS THE EXCLUSIVE PROPERTY OF SONNY'S ENTERPRISES, INC.  
 ALL RIGHTS RESERVED.

**21181-D3-Tulalip Tribe**  
 SCALE: 3/32"=1'  
 LOCATION: -WA-

Sheet 9.2  
 Rev. -1-

NOT FOR CONSTRUCTION UNTIL APPROVED BELOW.  
 APPROVED BY: \_\_\_\_\_ DATE: \_\_\_\_\_

**LEGEND:**  
 - SURFACE MOUNTED Conduit ———  
 - CONCEALED Conduit - - - - -



CONTROL; GC  
 ELECTRICAL



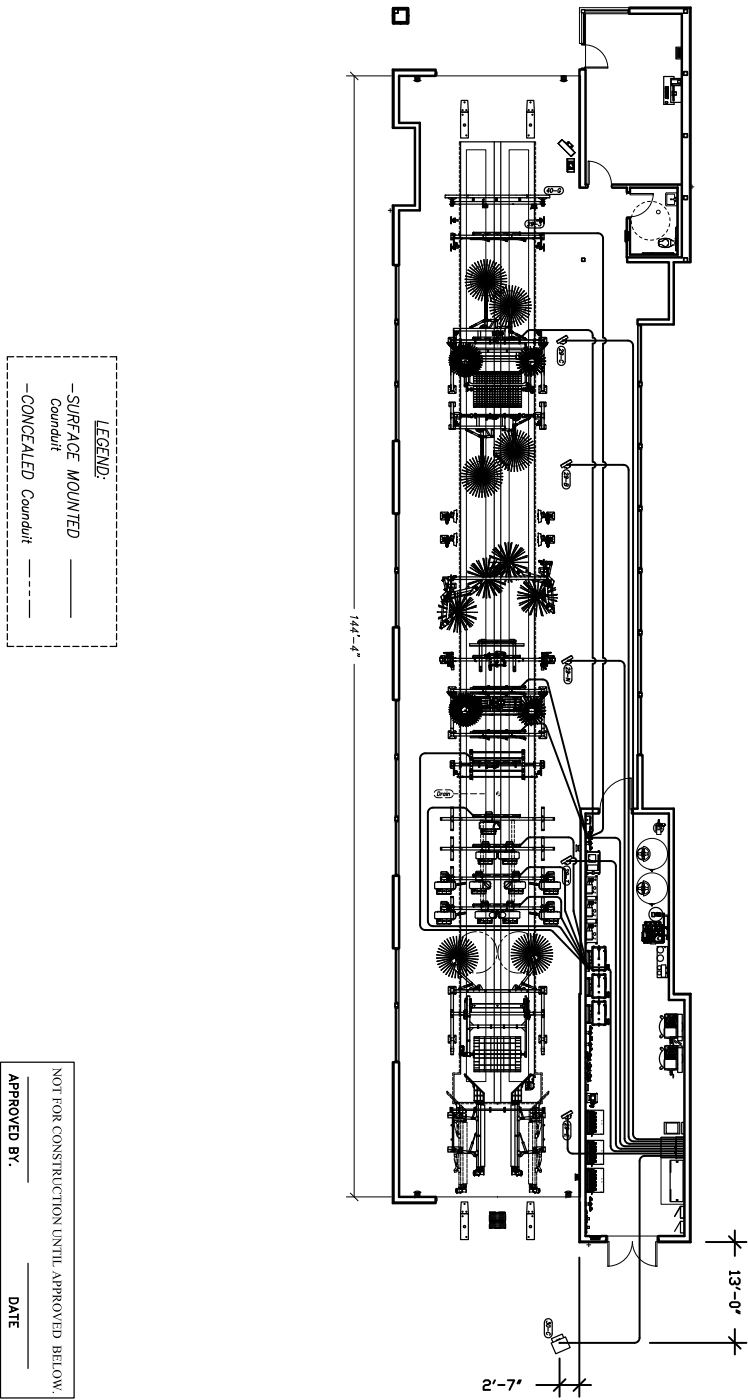
DATE:	03.03.21
REVISION DATE:	10.25.21
CREATED BY:	LV
REVISED BY:	ADC
APPROVED BY:	FAO

**DISCLAIMER**  
 Although building codes have been considered in developing this plan, verification of all codes and regulations is the responsibility of the customer and the contractor. THESE DRAWINGS REFLECT REQUIREMENTS FOR SONNY'S EQUIPMENT ONLY UNLESS OTHERWISE NOTED. PLEASE REFER TO OTHER MANUFACTURERS' AND/OR CONTRACTOR'S REQUIREMENTS.

**CONFIDENTIAL WARNING:**  
 THIS SHEET CONTAINS AND CONSTITUTES CONFIDENTIAL INFORMATION, IMAGES AND TRADE SECRETS OF SONNY'S ENTERPRISES, INC. ANY UNAUTHORIZED USE OR DISCLOSURE OF ANY OR PORTION THEREOF IS STRICTLY PROHIBITED. THIS WORK IS THE EXCLUSIVE PROPERTY OF SONNY'S ENTERPRISES, INC. ALL RIGHTS RESERVED.

21181-D3-Tulalip Tribe  
 SCALE: 1/16"=1'  
 LOCATION: -WA-

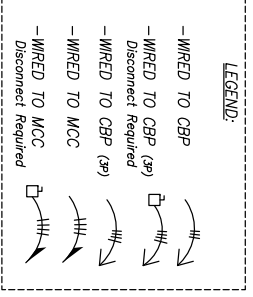
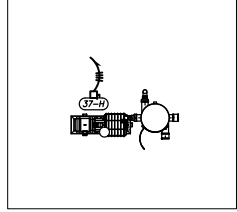
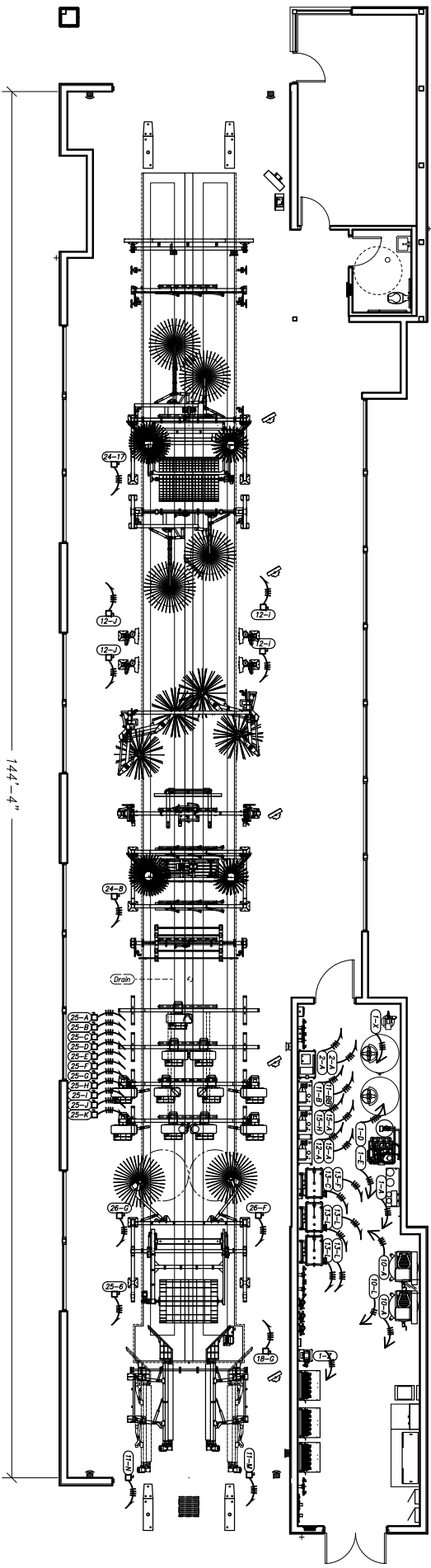
Sheet 9.3  
 Rev. -4-



SIGNAGE; GC  
 ELECTRICAL



DATE:	03.03.21
REVISION DATE:	10.25.21
CREATED BY:	LV
REVISED BY:	ADC
APPROVED BY:	FAO



NOT FOR CONSTRUCTION UNTIL APPROVED BELOW.

APPROVED BY: \_\_\_\_\_ DATE: \_\_\_\_\_

**DISCLAIMER**  
 ALL OTHER BUILDING CODES HAVE BEEN CONSIDERED IN DEVELOPING THIS DRAWING. VARIATION OF  
 ALTHOUGH THE DRAWING IS INTENDED TO BE USED AS A GUIDE, THE USER SHALL BE RESPONSIBLE FOR  
 THESE DRAWINGS REFLECT REQUIREMENTS FOR SONNY'S EQUIPMENT ONLY, UNLESS OTHERWISE  
 NOTED. PLEASE REFER TO OTHER DRAWINGS FOR OTHERS, IF ANY, FOR THEIR EQUIPMENT REQUIREMENTS.

**CONFIDENTIAL WARNING:**  
 THIS SHEET CONTAINS AND CONSTITUTES CONFIDENTIAL INFORMATION, IMAGES AND TRADE SECRETS  
 OF SONNY'S ENTERPRISES INC. ANY UNAUTHORIZED USE OR DISCLOSURE OF ANY OR PORTION THEREOF,  
 WITHOUT THE WRITTEN PERMISSION OF SONNY'S ENTERPRISES INC. THIS WORK IS THE EXCLUSIVE PROPERTY OF SONNY'S ENTERPRISES INC.  
 ALL RIGHTS RESERVED.

21181-D3-Tulalip Tribe  
 SCALE: 3/32"=1'  
 LOCATION: -WA-

Sheet	Rev.
9.4	-1-

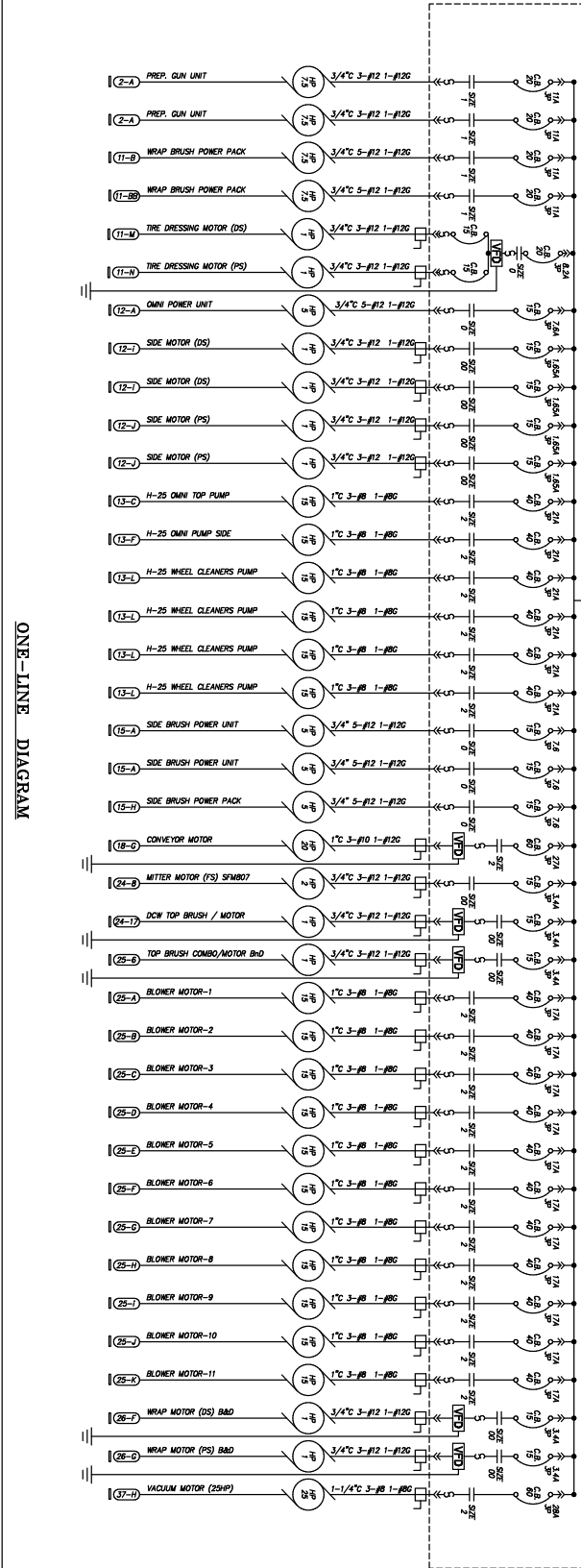
MOTOR POWER; GC  
 ELECTRICAL



DATE:	03.03.21
REVISION DATE:	10.25.21
CREATED BY:	LV
REVISED BY:	ADC
APPROVED BY:	FAO

480V

**MOTOR CONTROL CENTER**  
 480V, 3~ 4W  
 TOTAL CONNECTED LOAD: 474.2A  
 BREAKER SIZE TBD MLO (VERIFY T.C.L.)  
 PANEL RATED AIC TBD  
 RMS SYMMETRICAL



ONE-LINE DIAGRAM

- NOTES:
- PROVIDE 4" HIGH CONCRETE HOUSEKEEPING PAD FOR MCC.
  - LOCATE MCC SUCH THAT PROPER FRONT WORKING SPACE IS MAINTAINED IN ACCORDANCE TO NEC 110-18(D).
  - ALL WIRE TO BE TYPE THHN/THWN.

- HANDLE MECHANISMS SHALL HAVE "LOCK-OFF" PROVISIONS.
- ALL STARTERS ARE FVME.
- MCC SHALL BE WIRED NEIMA CLASS 1, TYPE A.
- MCC SHALL HAVE MOTOR CIRCUIT PROTECTORS ON STARTER.
- TUNNEL CONTROLLER RELAYS REQUIRE AIR-CONTACT CONNECTIONS.
- IF THE TUNNEL CONTROLLER IS NOT INTEGRATED IN THE MCC ENCLOSURE, CONTROL WIRE TO CONNECT BOTH UNITS, MUST BE #14 (THHN/THWN) OR GREATER.
- IF VFD'S ARE USED, ALL CONDUITS TO MOTORS CONTROLLED BY VFD MUST BE STEEL (NO PVC ALLOWED), AND ALL VFD MUST HAVE INDIVIDUAL DRIVEN GROUND RODS. VFD'S CONTROL INDIVIDUALLY PER VFD'S. ALSO THE CB IS INSTANTANEOUS TRIP BREAKER (ARTICLE 430.52-A).
- ALL VFD MOTORS NEED TO BE WIRED WITH SHIELDED WIRE TYPE AND SUPPLIED WITH A (SHARED) DEDICATED EARTH GROUND.

- MCC NOTES:
- (C)-DISCONNECTS IF NEEDED TO BE MOUNTED IN TUNNEL OR OTHER AREAS NOT WITHIN 50 L.F. OR L.O.S. OF MCC IN CONFORMANCE WITH N.E.C. AND/OR LOCAL CODES. ALSO TO BE TYPE 4X NON-METALLIC ENCLOSURES NON-FUSED SIZED FOR LOAD. DISCONNECTING MEANS SHALL NOT BE REQUIRED WHERE IMPRACTICABLE OR INTRODUCES ADDITIONAL OR INCREASED HAZARDS TO PERSON OR PROPERTY. N.E.C. (ARTICLE 430.102-B-9)
  - ALL CONDUIT, WIRES, DISCONNECTS, AND TERMINATIONS BY G.C. ELECTRICAL.
  - MOTOR WIRE SIZE INDICATED ON THIS SHEET ASSUMES LENGTHS RUN TO BE 100 LF OR LESS. RUNS EXCEED 100 LF, OR NECESSARY CALCULATIONS TO DETERMINE 100 IZEG DROP ? AND CHANGE WIRE SPECIFICATIONS, AS NECESSARY.

DISCLAIMER  
 ALTHOUGH BUILDING CODES HAVE BEEN CONSIDERED IN DEVELOPING THIS DRAWING, VERIFICATION OF ALL OTHER APPLICABLE CODES, AND OBTAINING ALL NECESSARY PERMITS AND APPROVALS IS THE EXCLUSIVE RESPONSIBILITY OF THE CUSTOMER AND/OR ARCHITECT AND ENGINEER. THESE DRAWINGS REFLECT REQUIREMENTS FOR SONNY'S EXPANDED EQUIPMENT ONLY, UNLESS OTHERWISE NOTED. PLEASE REFER TO OTHER DRAWING AND ORDERS, IF ANY, FOR THEIR EQUIPMENT REQUIREMENTS.

CONFIDENTIAL WARNING  
 THIS SHEET CONTAINS AND CONSTITUTES CONFIDENTIAL INFORMATION, TRADE SECRETS OR SONNY'S ENTERPRISES INC. ANY UNAUTHORIZED USE OR DISCLOSURE OF ANY OR PORTION THEREOF, IS STRICTLY PROHIBITED. THIS WORK IS THE EXCLUSIVE PROPERTY OF SONNY'S ENTERPRISES, INC. ALL RIGHTS RESERVED.

21181-D3-Tulalip Tribe  
 SCALE: N.T.S.  
 LOCATION: WA-

NOT FOR CONSTRUCTION UNTIL APPROVED BELOW.  
 APPROVED BY: \_\_\_\_\_ DATE: \_\_\_\_\_

Sheet 9.5  
 Rev. --

ONE LINE ELECTRICAL SCHEMATIC



DATE:	03.03.21
REVISION DATE:	10.25.21
CREATED BY:	LV
REVISED BY:	ADC
APPROVED BY:	FAO

PANEL & CIRCUITS BY G.C. ELECTRICIAN

PANEL SCHEDULE									
VOLTS: 120/208 PHASE: 3									
CRT	GENRE	DESCRIPTION	BOUN. LOAD (WATTS)	IPN	IPN	IPN	IPN	IPN	WIRE
No.	TYPE		VA	VA	VA	VA	VA	VA	
2	20	TUNNEL LIGHTING	100	100	100	100	100	100	WIRE
4	20	TUNNEL LIGHTING	100	100	100	100	100	100	WIRE
6	20	SPARE	100	100	100	100	100	100	WIRE
8	20	LED EQ. LIGHT (28-3)	100	100	100	100	100	100	WIRE
10	20	LED EQ. LIGHT (28-3)	100	100	100	100	100	100	WIRE
12	20	SPARE	100	100	100	100	100	100	WIRE
14	15	CONTROL 120V (1-A)	100	100	100	100	100	100	WIRE
16	15	CONTROL 120V (1-A)	100	100	100	100	100	100	WIRE
18	35	RECUM UNIT (1-A)	100	100	100	100	100	100	WIRE
20	35	RECUM UNIT (1-A)	100	100	100	100	100	100	WIRE
22	35	RECUM UNIT (1-A)	100	100	100	100	100	100	WIRE
24	15	CONTROL 120V (1-5E)	100	100	100	100	100	100	WIRE
26	15	CONTROL 120V (1-5E)	100	100	100	100	100	100	WIRE
28	15	CONTROL 120V (1-5E)	100	100	100	100	100	100	WIRE
30	15	CONTROL 120V (1-5E)	100	100	100	100	100	100	WIRE
32	15	CONTROL 120V (1-5E)	100	100	100	100	100	100	WIRE
34	15	CONTROL 120V (1-5E)	100	100	100	100	100	100	WIRE
36	15	CONTROL 120V (1-5E)	100	100	100	100	100	100	WIRE
38	15	CONTROL 120V (1-5E)	100	100	100	100	100	100	WIRE
40	15	CONTROL 120V (1-5E)	100	100	100	100	100	100	WIRE
42	15	CONTROL 120V (1-5E)	100	100	100	100	100	100	WIRE

TOTALS  
A.L.C. RATING (L/ERT)  
MOUNTING SURFACE

TOTAL CONNECTED  
TOTAL DEMAND  
TOTAL AMPS

PANEL SCHEDULE									
VOLTS: 120/208 PHASE: 3									
CRT	GENRE	DESCRIPTION	BOUN. LOAD (WATTS)	IPN	IPN	IPN	IPN	IPN	WIRE
No.	TYPE		VA	VA	VA	VA	VA	VA	
2	15	CONTROL 120V (1-X)	100	100	100	100	100	100	WIRE
4	15	CONTROL 120V (1-X)	100	100	100	100	100	100	WIRE
6	15	CONTROL 120V (1-X)	100	100	100	100	100	100	WIRE
8	15	CONTROL 120V (1-X)	100	100	100	100	100	100	WIRE
10	15	CONTROL 120V (1-X)	100	100	100	100	100	100	WIRE
12	15	CONTROL 120V (1-X)	100	100	100	100	100	100	WIRE
14	30	CONCRETE PUMP (1-2)	100	100	100	100	100	100	WIRE
16	30	CONCRETE PUMP (1-2)	100	100	100	100	100	100	WIRE
18	30	CONCRETE PUMP (1-2)	100	100	100	100	100	100	WIRE
20	30	CONCRETE PUMP (1-2)	100	100	100	100	100	100	WIRE
22	30	CONCRETE PUMP (1-2)	100	100	100	100	100	100	WIRE

TOTALS  
A.L.C. RATING (L/ERT)  
MOUNTING SURFACE

TOTAL CONNECTED  
TOTAL DEMAND  
TOTAL AMPS

PANEL SCHEDULE									
VOLTS: 120/208 PHASE: 3									
CRT	GENRE	DESCRIPTION	BOUN. LOAD (WATTS)	IPN	IPN	IPN	IPN	IPN	WIRE
No.	TYPE		VA	VA	VA	VA	VA	VA	
2	25	COMPRESSOR LIGHT (10-A)	100	100	100	100	100	100	WIRE
4	25	COMPRESSOR LIGHT (10-A)	100	100	100	100	100	100	WIRE
6	25	COMPRESSOR LIGHT (10-A)	100	100	100	100	100	100	WIRE
8	25	COMPRESSOR LIGHT (10-A)	100	100	100	100	100	100	WIRE
10	25	COMPRESSOR LIGHT (10-A)	100	100	100	100	100	100	WIRE
12	25	COMPRESSOR LIGHT (10-A)	100	100	100	100	100	100	WIRE
14	25	COMPRESSOR LIGHT (10-A)	100	100	100	100	100	100	WIRE
16	25	COMPRESSOR LIGHT (10-A)	100	100	100	100	100	100	WIRE
18	25	COMPRESSOR LIGHT (10-A)	100	100	100	100	100	100	WIRE
20	25	COMPRESSOR LIGHT (10-A)	100	100	100	100	100	100	WIRE
22	25	COMPRESSOR LIGHT (10-A)	100	100	100	100	100	100	WIRE

TOTALS  
A.L.C. RATING (L/ERT)  
MOUNTING SURFACE

TOTAL CONNECTED  
TOTAL DEMAND  
TOTAL AMPS

NOT FOR CONSTRUCTION UNTIL APPROVED BELOW.  
APPROVED BY: \_\_\_\_\_ DATE: \_\_\_\_\_

DISCLAIMER  
ALTHOUGH BUILDING CODES HAVE BEEN CONSIDERED IN DEVELOPING THIS DRAWING, VARIATION OF  
ALTERNATE BUILDING CODES AND CONDITIONS MAY OCCUR. SONNY'S ENTERPRISES, INC. AND G.C. ELECTRICIAN  
THESE DRAWINGS REFLECT REQUIREMENTS FOR SONNY'S EQUIPMENT. EQUIPMENT ONLY, UNLESS OTHERWISE  
NOTED. PLEASE REFER TO OTHER DRAWINGS FOR OTHERS, IF ANY, FOR THEIR EQUIPMENT REQUIREMENTS.

CONFIDENTIAL WARNING  
THIS SHEET CONTAINS AND CONSTITUTES CONFIDENTIAL INFORMATION, TRADE SECRETS  
OR SONNY'S ENTERPRISES, INC. ANY UNAUTHORIZED USE OR DISCLOSURE OF ANY OR PORTION THEREOF  
OF SONNY'S ENTERPRISES, INC. IS STRICTLY PROHIBITED. THIS WORK IS THE PROPERTY OF SONNY'S ENTERPRISES, INC.  
ALL RIGHTS RESERVED.

21181-D3-Tulalip Tribe  
SCALE: N.T.S. LOCATION: -WA-

Sheet 9.6  
Rev. -1-

ELECTRICAL PANEL; GC SCHEMATIC



DATE: 03.03.21  
REVISION DATE: 10.25.21  
CREATED BY: LV  
REVISED BY: ADC  
APPROVED BY: FAO



GC= GENERAL CONTRACTOR  
SCW = SONNY'S (CARWASH INSTALLER)

## ELECTRICAL SPECIFICATIONS GENERAL CONTRACTOR

Rev\_01.21.21

- A. GENERAL PROVISIONS**
1. THE WORK SHALL CONSIST OF FURNISHING LABOR, EQUIPMENT, AND MATERIALS TO PROVIDE THE COMPLETE INTEGRATED AND PROPER FUNCTIONING SYSTEMS AS SHOWN ON THE DRAWINGS.
  2. SCOPE OF WORK INCLUDES, BUT IS NOT LIMITED TO, FURNISHING, INSTALLING AND TERMINATING ALL 3 PHASE, 1 PHASE, COMPUTER/CONTROL, POWER PER THESE DRAWINGS, AND SONNY'S INSTALLATION MANUALS.
  3. ALL WORK SHALL BE DONE IN CONFORMANCE WITH THE LATEST EDITION OF THE NATIONAL ELECTRICAL CODE, AS APPLICABLE FEDERAL, STATE AND LOCAL REGULATIONS AND ORDINANCES.
  4. ALL EQUIPMENT AND MATERIALS PROVIDED SHALL BE NEW AND IN CONFORMANCE WITH APPLICABLE PROVISIONS OF N.E.M.A., A.N.S.I., U.L., ETC.
  5. THE ELECTRICAL CONTRACTOR SHALL COORDINATE HIS WORK WITH THAT OF OTHER TRADES SO AS TO AVOID INTERFERENCE.
  6. THE DRAWINGS ARE DIAGRAMATIC AND INDICATE GENERAL LAYOUT OF ELECTRICAL SYSTEMS. FIELD VERIFICATIONS OF DIMENSIONS IS DIRECTED.
  7. SECURE PERMITS AND INSPECTIONS REQUIRED BY STATE AND LOCAL LAWS AND ORDINANCES.
  8. UPON COMPLETION OF THE WORK, FURNISH TO THE OWNER CERTIFICATES OF FINAL INSPECTIONS AND APPROVALS FROM AUTHORITIES HAVING JURISDICTION.
  9. ALL WORK SHALL BE GUARANTEED FOR A PERIOD OF ONE (1) YEAR FROM THE DATE OF FINAL ACCEPTANCE BY THE OWNER.
  10. ELECTRICAL EQUIPMENT SHALL BE FIELD MARKED TO WARN QUALIFIED PERSONS OF POTENTIAL ELECTRICAL ARC FLASH HAZARDS.
- B. RACEWAYS**
1. ALL WIRING SHALL BE INSTALLED IN APPROVED RACEWAYS UNLESS OTHERWISE INDICATED.
  2. MINIMUM CONDUIT SIZE SHALL BE 1/2" TRADE SIZE.
  3. USE FLEXIBLE CONDUIT FOR SHORT FINAL CONNECTIONS TO UNBUNDLED EQUIPMENT OR TO CONDUIT MANHOLES AND LOCATIONS. ALL BLOWERS CONNECTION MUST HAVE 24" SERVICE DRIP LOOP TO ALLOW MOVEMENT OR MAINTENANCE. FLEXIBLE CONDUITS SHALL BE USED WHERE CALLED FOR ON THE PLANS.
  4. EXPOSED CONDUITS SHALL BE RUN PARALLEL TO BUILDING LINES.
  5. DO NOT INSTALL CONDUITS LARGER THAN 1/3 THE SLAB THICKNESS IN CONCRETE SLABS.
  6. PROVIDE APPROVED FIRE STOPPING MATERIALS AT ALL PENETRATIONS THROUGH FIRE RATED FLOORS AND WALLS TO PREVENT THE PASSAGE OF SMOKE, FIRE, TOXIC GASES OR WATER THROUGH THE PENETRATION EITHER BEFORE, DURING, OR AFTER A FIRE, AS REQUIRED BY ARTICLE 300-21 OF THE N.E.C.
  7. PROVIDE CABLE SUPPORTS IN ACCORDANCE WITH ARTICLE 300 OF THE N.E.C.
  8. PROVIDE EXPANSION FITTINGS IN CONDUIT RUNS CROSSING STRUCTURAL EXPANSION JOINTS.
  9. RACEWAYS OR CABLE TRAYS CONTAINING ELECTRICAL CONDUCTORS SHALL NOT CONTAIN ANY PIPE, TUBE, OR EQUAL FOR STEAM, WATER, AIR, GAS, DRAINAGE, OR ANY SERVICE OTHER THAN ELECTRICAL, AS REQUIRED BY ARTICLE 300.8 OF N.E.C.-2015
- C. CONDUCTORS**
1. ALL WIRING SHALL BE COPPER.
  2. CONDUCTORS SHALL BE RATED 600V, WITH TYPE THRU WITHIN INSULATION.
  3. WIRES SHALL BE STRANDED CONDUCTOR.
  4. ALL CONTROL FIELD WIRES, MUST BE #14 OR GREATER OTHERWISE SPECIFIED.
  5. START-STOP STATION MUST HAVE (4) WIRES #14 OR GREATER OTHERWISE SPECIFIED.
- D. CONNECTORS**
1. ALL WIRE CONNECTIONS FOR NHP MOTORS OR LARGER MUST BE SPLIT BOLT CONNECTORS OR EQUIVALENT APPROVED BY N.E.C. AND/OR MANUFACTURER.
- E. LIGHTING PANELS**
1. PROVIDE LIGHTING PANELS AS INDICATED ON THE PLANS AND AS SPECIFIED HEREIN. ALL PANELS SHALL BE DEAD FRONT CIRCUIT BREAKER TYPE, AND SHALL BEAR THE UL LABEL AS WELL AS MEET ALL APPLICABLE NEMA REQUIREMENTS.
  2. UNLESS OTHERWISE NOTED, TOP OF PANELS SHALL BE MOUNTED 6'-0" A.F.F.
  3. ALL PANELS SHALL HAVE TYPEWRITTEN CIRCUIT DIRECTORIES MOUNTED INSIDE OF DOOR.
  4. PANELS SHALL BE SUITABLE FOR THE SERVICE RATING AND THE A.I.C. RATING INDICATED ON THE PANEL SCHEDULES.
  5. ALL BREAKERS SHALL BE FULL SPACE, INDIVIDUAL FRAME TYPE, NO "TRIG/BACK" OR TANDEM BREAKERS WILL BE PERMITTED.
- F. SAFETY SWITCHES**
1. SAFETY SWITCHES SHALL BE HEAVY DUTY TYPE NON-FUSIBLE WITH POLES, AMPERE AND SERVICE RATINGS AS INDICATED ON THE PLANS. LUGS SHALL BE U.L. LISTED FOR CU-AL.
  2. ENCLOSURES FOR SAFETY SWITCHES SHALL BE NEMA 1, EXCEPT FOR SWITCHES MARKED "WP" (WEATHERPROOF) SHALL BE NEMA 4X.
  - 2A (19) -DISCONNECTS TO BE MOUNTED IN TUNNEL OR OTHER AREAS NOT WITHIN 50 L.F. OR L.O.S. OF MCC IN CONFORMANCE WITH N.E.C. AND/OR LOCAL CODES. ALSO TO BE TYPE 4X NON-METALLIC ENCLOSURES, NON-FUSED SIZED FOR LOAD. DISCONNECTING MEANS SHALL NOT BE REQUIRED WHERE SUCH A LOCATION OF THE DISCONNECTING MEANS IS IMPRACTICABLE OR INTRODUCES ADDITIONAL OR INCREASED HAZARDS TO PERSON OR PROPERTY. N.E.C. (ARTICLE 430.102-B-9)

**DISCLAIMER**  
ALTHOUGH BUILDING CODES HAVE BEEN CONSIDERED IN DEVELOPING THIS DRAWING, VIOLATION OF ANY OTHER BUILDING CODES AND/OR REGULATIONS IS THE RESPONSIBILITY OF THE CONTRACTOR. SONNY'S ENTERPRISES, INC. AND ITS ENGINEERS ASSUME NO RESPONSIBILITY FOR SONNY'S EXHIBITED EQUIPMENT, UNLESS OTHERWISE NOTED. PLEASE REFER TO OTHER MANUALS AND ORDERS, IF ANY, FOR THEIR EQUIPMENT REQUIREMENTS.

**CONFIDENTIAL WARNING**  
THIS SHEET CONTAINS AND CONSTITUTES CONFIDENTIAL INFORMATION, IMAGES AND TRADE SECRETS OF SONNY'S ENTERPRISES, INC. ANY UNAUTHORIZED USE OR DISCLOSURE OF ANY OR PORTION THEREOF, WITHOUT THE WRITTEN CONSENT OF SONNY'S ENTERPRISES, INC. IS STRICTLY PROHIBITED. ALL RIGHTS RESERVED.

**21181-D3-Tulalip Tribe**  
SCALE: N.T.S. LOCATION: -WA-

NOT FOR CONSTRUCTION UNTIL APPROVED BELOW.  
APPROVED BY: \_\_\_\_\_ DATE: \_\_\_\_\_

Sheet 9.7 Rev. --

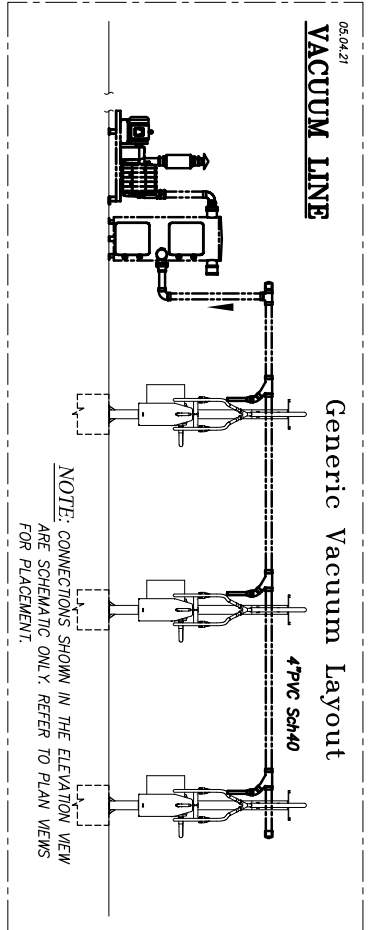
**DIVISION OF WORK  
ELECTRICAL**



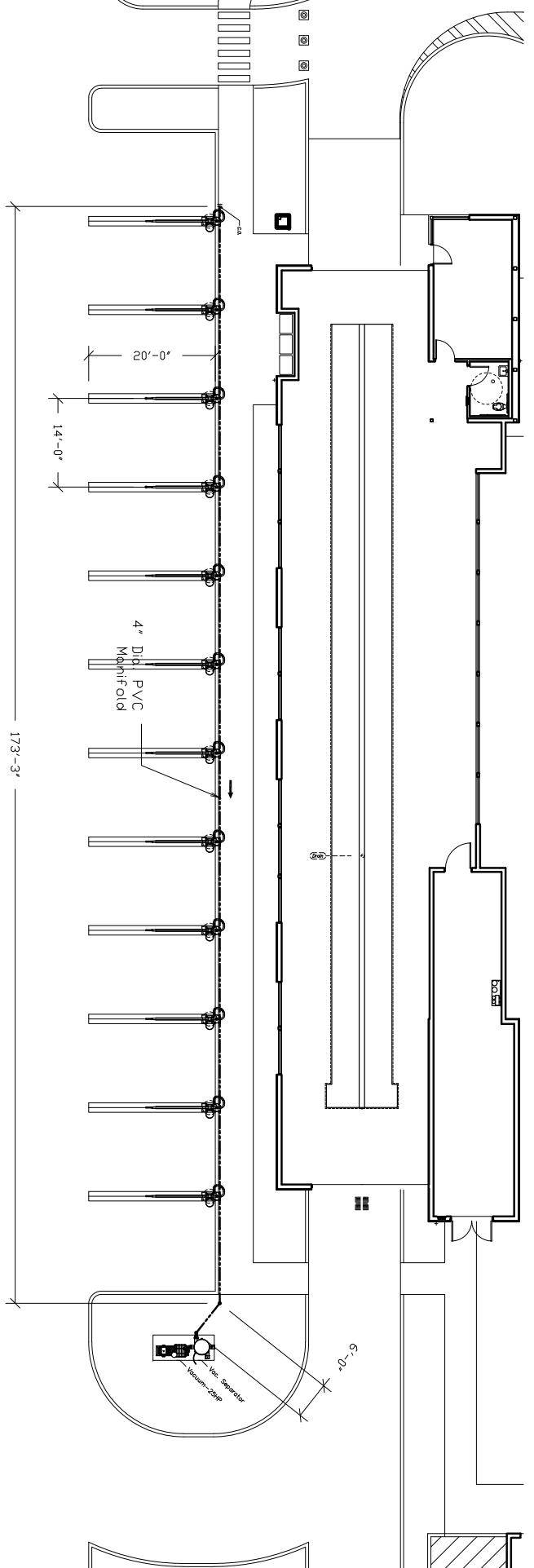
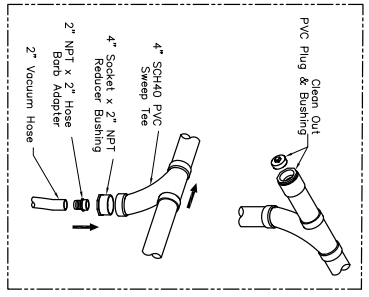
DATE:	03.03.21
REVISION DATE:	10.25.21
CREATED BY:	LV
REVISED BY:	ADC
APPROVED BY:	FAO

05.04.21  
**VACUUM LINE**

**Generic Vacuum Layout**



**NOTE: CONNECTIONS SHOWN IN THE ELEVATION VIEW ARE SCHEMATIC ONLY. REFER TO PLAN VIEWS FOR PLACEMENT.**



NOT FOR CONSTRUCTION UNTIL APPROVED BELOW.  
 APPROVED BY: \_\_\_\_\_ DATE: \_\_\_\_\_

**DISCLAIMER**  
 ALTHOUGH BUILDING CODES HAVE BEEN CONSIDERED IN DEVELOPING THIS DRAWING, VERIFICATION OF ALL APPLICABLE BUILDING CODES AND LOCAL ORDINANCES AND ALL APPLICABLE PERMITS IS THE EXCLUSIVE RESPONSIBILITY OF THE CUSTOMER AND/OR ARCHITECT AND ENGINEER. THESE DRAWINGS REFLECT REQUIREMENTS FOR SONNY'S LICENSED EQUIPMENT ONLY, UNLESS OTHERWISE NOTED. PLEASE REFER TO OTHER MANUALS AND ORDERS, IF ANY, FOR THEIR EQUIPMENT REQUIREMENTS.

**CONFIDENTIAL WARNING:**  
 THIS SHEET CONTAINS AND CONSTITUTES CONFIDENTIAL INFORMATION, IMAGES AND TRADE SECRETS OF SONNY'S ENTERPRISES INC. ANY UNAUTHORIZED USE OR DISCLOSURE OF ANY OR PORTION THEREOF, IN WHOLE OR IN PART, WITHOUT THE WRITTEN PERMISSION OF SONNY'S ENTERPRISES INC. IS STRICTLY PROHIBITED. ALL RIGHTS RESERVED.

**21181-D3-Tulalip Tribe**  
 SCALE: 1/16"=1'  
 LOCATION: -WA-

Sheet	Rev.
10.2	-1-

VACUUM SITE LAYOUT; GC

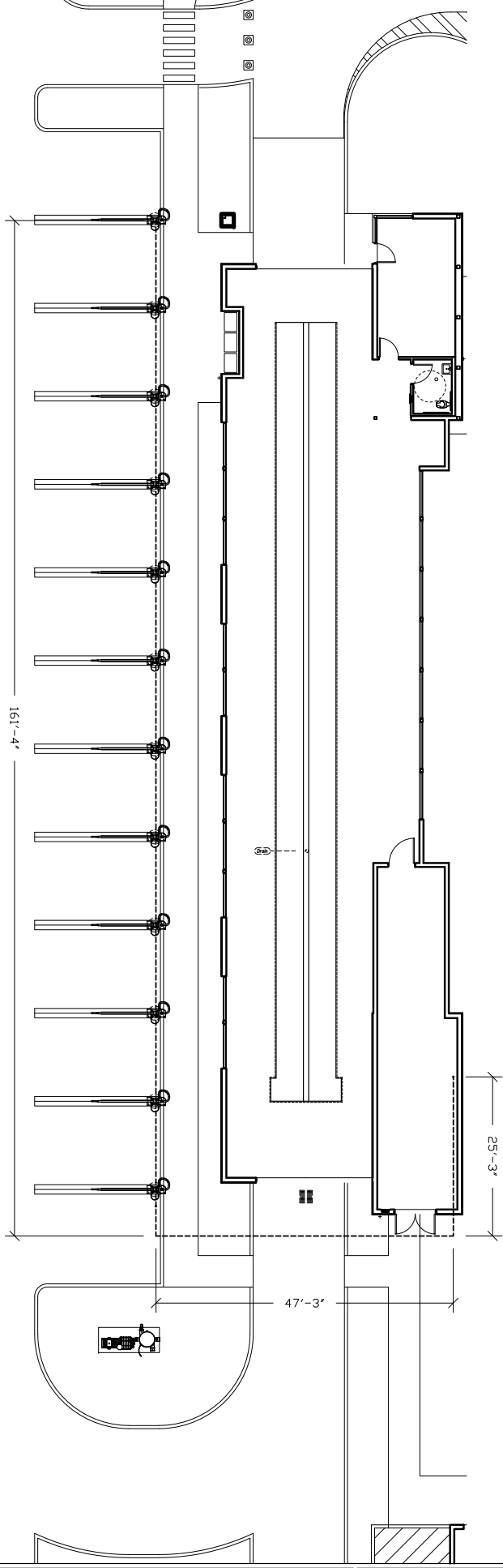
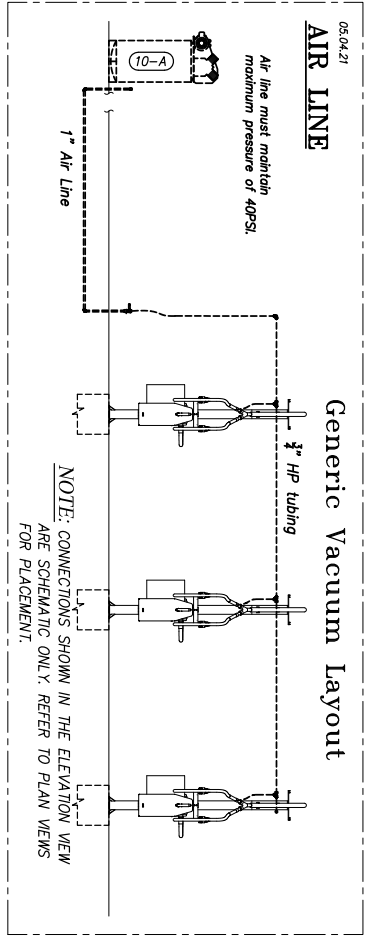


DATE:	03.03.21
REVISION DATE:	10.25.21
CREATED BY:	LV
REVISED BY:	ADC
APPROVED BY:	FAO

05/04/21

# AIR LINE

Air line must maintain  
maximum pressure of 40PSI.



NOT FOR CONSTRUCTION UNTIL APPROVED BELOW.

APPROVED BY: \_\_\_\_\_ DATE: \_\_\_\_\_

**DISCLAIMER**  
ALTHOUGH BUILDING CODES HAVE BEEN CONSIDERED IN DEVELOPING THIS DRAWING, VERIFICATION OF ALL OTHER BUILDING CODES AND ORDINANCES APPLICABLE TO THIS PROJECT IS THE RESPONSIBILITY OF THE CUSTOMER AND/OR ARCHITECT AND ENGINEER. THESE DRAWINGS REFLECT REQUIREMENTS FOR SONNY'S EQUIPPED EQUIPMENT ONLY UNLESS OTHERWISE NOTED. PLEASE REFER TO OTHER DRAWINGS AND ORDERS, IF ANY, FOR THEIR EQUIPMENT REQUIREMENTS.

**CONFIDENTIAL WARNING:**  
THIS SHEET CONTAINS AND CONSTITUTES CONFIDENTIAL INFORMATION, IMAGES AND TRADE SECRETS OF SONNY'S ENTERPRISES INC. ANY UNAUTHORIZED USE OR DISCLOSURE OF ANY OR PORTION THEREOF IS STRICTLY PROHIBITED. THIS WORK IS THE EXCLUSIVE PROPERTY OF SONNY'S ENTERPRISES INC. ALL RIGHTS RESERVED.

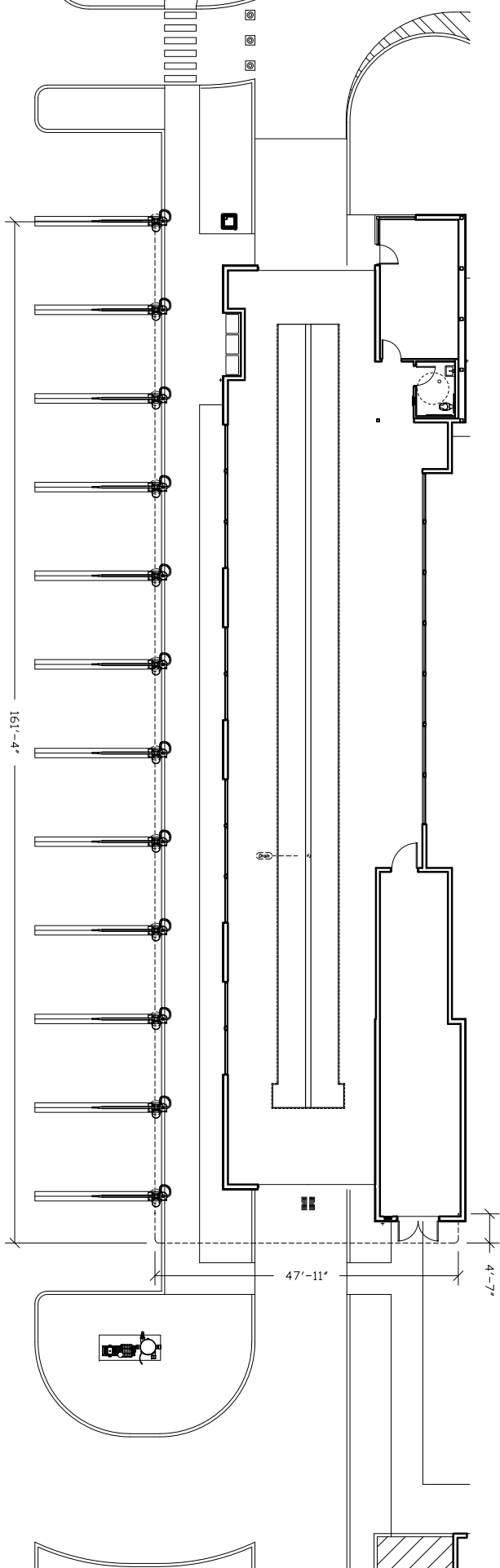
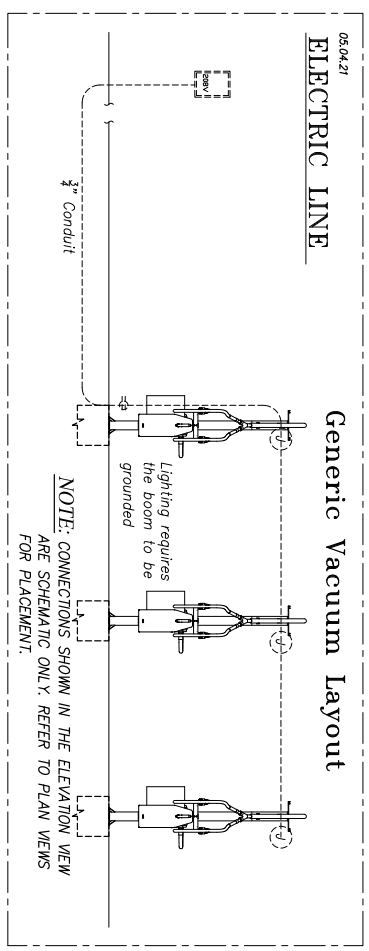
21181-D3-Tulalip Tribe  
SCALE: 1/16"=1'  
LOCATION: -WA-

Sheet	Rev.
10.3	-1-

DATE:	03.03.21
REVISION DATE:	10.25.21
CREATED BY:	LV
REVISED BY:	ADC
APPROVED BY:	FAO

05/04/21  
ELECTRIC LINE

Generic Vacuum Layout



NOT FOR CONSTRUCTION UNTIL APPROVED BELOW.  
APPROVED BY: \_\_\_\_\_ DATE: \_\_\_\_\_

**DISCLAIMER**  
ALTHOUGH BUILDING CODES HAVE BEEN CONSIDERED IN DEVELOPING THIS DRAWING, VERIFICATION OF ALL APPLICABLE BUILDING CODES AND ORDINANCES IS THE RESPONSIBILITY OF THE ARCHITECT AND/OR ENGINEER. THESE DRAWINGS REFLECT REQUIREMENTS FOR SONNY'S LICENSED EQUIPMENT ONLY UNLESS OTHERWISE NOTED. PLEASE REFER TO OTHER MANUFACTURERS' AND/OR THEIR EQUIPMENT REQUIREMENTS.

**CONFIDENTIAL WARNING:**  
THIS SHEET CONTAINS AND CONSTITUTES CONFIDENTIAL INFORMATION, IMAGES AND TRADE SECRETS OF SONNY'S ENTERPRISES INC. ANY UNAUTHORIZED USE OR DISCLOSURE OF ANY OR PORTION HEREOF OR SONNY'S ENTERPRISES INC. THIS WORK IS THE EXCLUSIVE PROPERTY OF SONNY'S ENTERPRISES INC. ALL RIGHTS RESERVED.

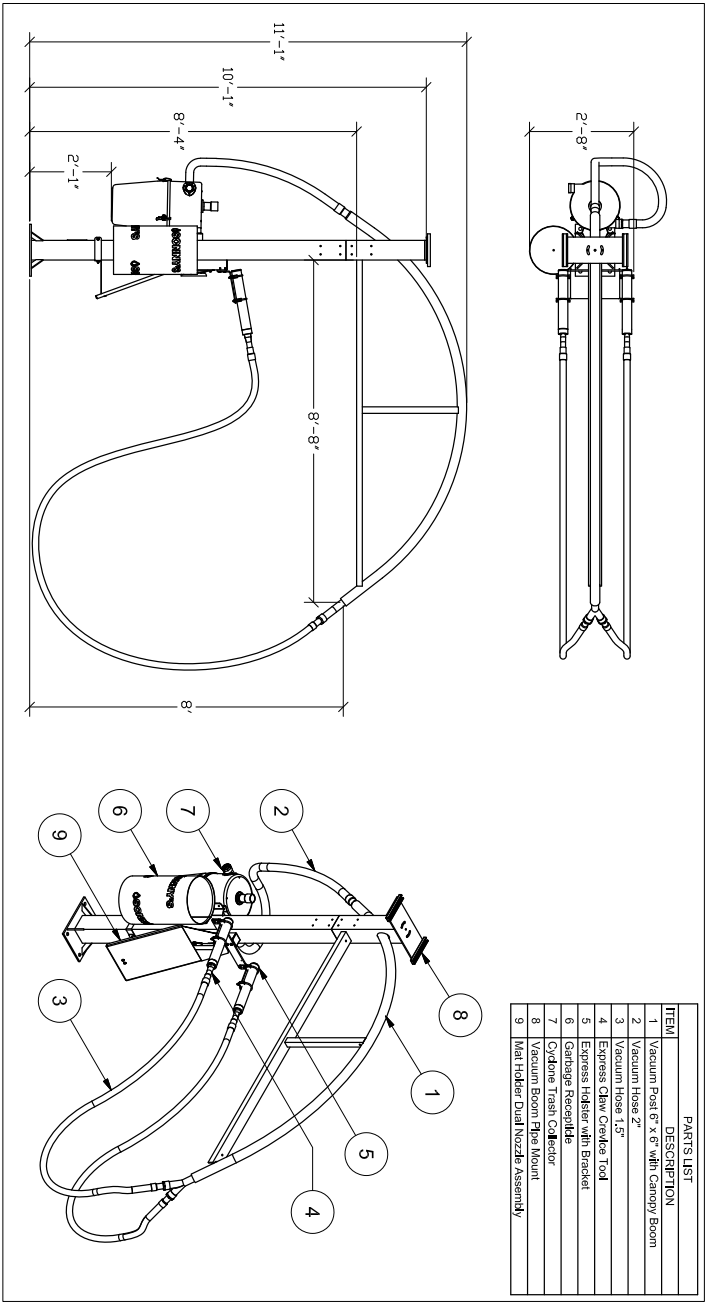
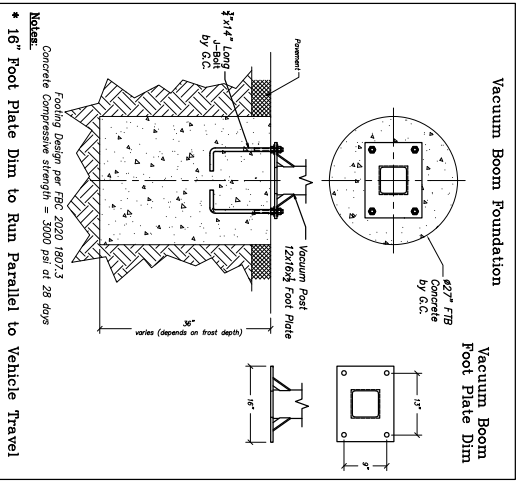
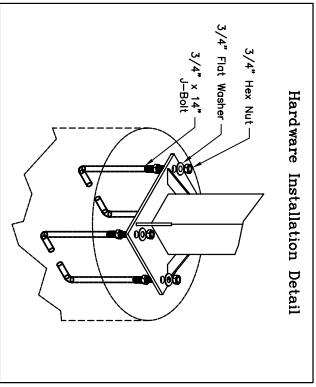
21181-D3-Tulalip Tribe  
SCALE: 1/16"=1'  
LOCATION: -WA-

Sheet	Rev.
10.4	-1-

VACUUM LIGHT LAYOUT; GC



DATE:	03.03.21
REVISION DATE:	10.25.21
CREATED BY:	LV
REVISED BY:	ADC
APPROVED BY:	FAO



PARTS LIST	
ITEM	DESCRIPTION
1	Vacuum Post 6' x 6' with Canopy Boom
2	Vacuum Hoses 2"
3	Vacuum Hoses 1.5"
4	Express Claw Service Tool
5	Express Holder with Bracket
6	Garbage Beendille
7	Cordless Trash Collector
8	Vacuum Boom Pipe Mount
9	Mat Holder Dual Nozzle Assembly

**DISCLAIMER**  
 ALL OTHER BUILDING CODES HAVE BEEN CONSIDERED IN DEVELOPING THIS DRAWING. VERIFICATION OF ALL OTHER BUILDING CODES AND ORDINANCES IS THE RESPONSIBILITY OF THE ARCHITECT AND/OR ENGINEER. THESE DRAWINGS REFLECT REQUIREMENTS FOR SONNY'S EQUIPPED EQUIPMENT ONLY UNLESS OTHERWISE NOTED. PLEASE REFER TO OTHER MANUFACTURERS, IF ANY, FOR THEIR EQUIPMENT REQUIREMENTS.

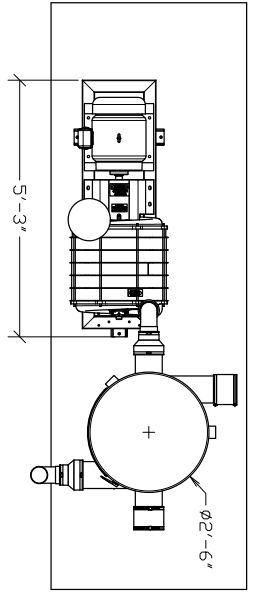
**CONFIDENTIAL WARNING:**  
 THIS SHEET CONTAINS AND CONSTITUTES CONFIDENTIAL INFORMATION, IMAGES AND TRADE SECRETS OF SONNY'S ENTERPRISES INC. ANY UNAUTHORIZED USE OR DISCLOSURE OF ANY OR PORTION THEREOF OR SONNY'S ENTERPRISES INC. THIS WORK IS THE EXCLUSIVE PROPERTY OF SONNY'S ENTERPRISES INC. ALL RIGHTS RESERVED.

21181-D3-Tulalip Tribe  
 SCALE: N.T.S. LOCATION: -WA-

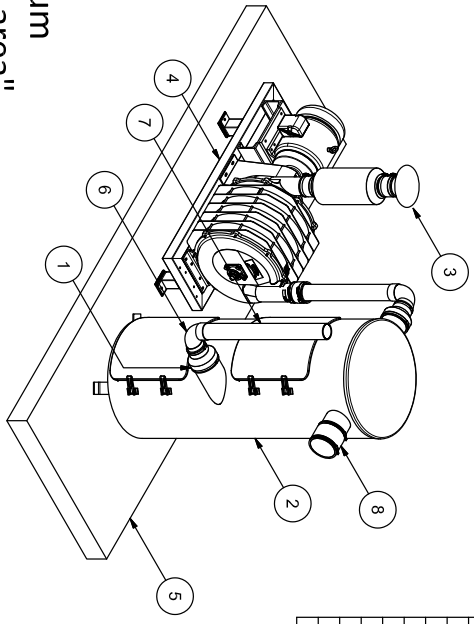
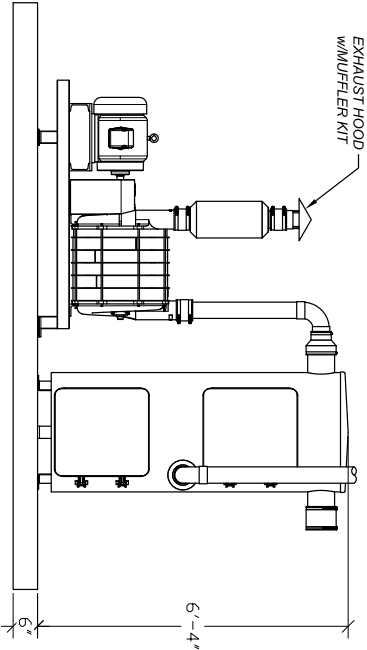
NOT FOR CONSTRUCTION UNTIL APPROVED BELOW.  
 APPROVED BY: \_\_\_\_\_ DATE: \_\_\_\_\_

Sheet 10.5  
 Rev. -4-

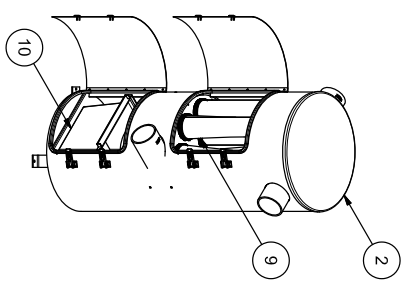
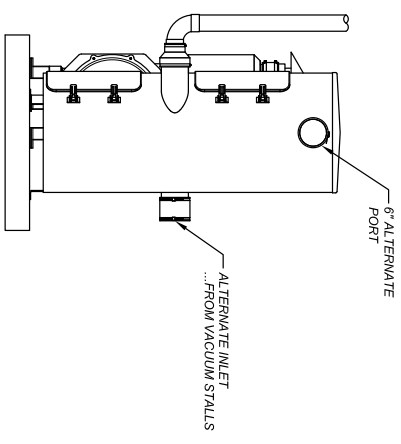
# Typical Vacuum, 25hp Producer w/Tank



**NOTE:**  
Proper ventilation is required when vacuum producers are located within an enclosed area".



ITEM	DESCRIPTION
1	6" x 4" Reducer Coupling
2	Vacuum Separator Universal w/10 Bags
3	Vacuum Turbine 4" Kit
4	Vacuum 25hp Producer w/Tank
5	Concrete Pad for Vacuum Producers
6	4" Schedule 40 PVC 90deg Elbow
7	4" Schedule 40 PVC Pipe
8	6" Coupler
9	Vacuum Separator Filter Bag 6inD x 32inL
10	Vacuum Separator Debris Cleanout Tank



NOT FOR CONSTRUCTION UNTIL APPROVED BELOW.  
APPROVED BY: \_\_\_\_\_ DATE: \_\_\_\_\_

**DISCLAIMER**  
ALTHOUGH BUILDING CODES HAVE BEEN CONSIDERED IN DEVELOPING THIS DRAWING, VERIFICATION OF ALL OTHER APPLICABLE CODES AND ORDINANCES IS THE RESPONSIBILITY OF THE USER. THESE DRAWINGS REFLECT REQUIREMENTS FOR SONNY'S EXPANDED EQUIPMENT ONLY UNLESS OTHERWISE NOTED. PLEASE REFER TO OTHER MANUFACTURERS' AND/OR ARCHITECTS' REQUIREMENTS.

**CONFIDENTIAL WARNING:**  
THIS SHEET CONTAINS AND CONSTITUTES CONFIDENTIAL INFORMATION, IMAGES AND TRADE SECRETS OF SONNY'S ENTERPRISES, INC. ANY UNAUTHORIZED USE OR DISCLOSURE OF ANY OR PORTION HEREOF, OR SONNY'S ENTERPRISES, INC. THIS WORK IS THE EXCLUSIVE PROPERTY OF SONNY'S ENTERPRISES, INC. ALL RIGHTS RESERVED.

21181-D3-Tulalip Tribe  
SCALE: N.T.S. LOCATION: -WA-

Sheet 10.7  
Rev. -1-

VAC. PRODUCER ASSEMBLY DETAIL; SCWI



DATE:	03.03.21
REVISION DATE:	10.25.21
CREATED BY:	LV
REVISED BY:	ADC
APPROVED BY:	FAO

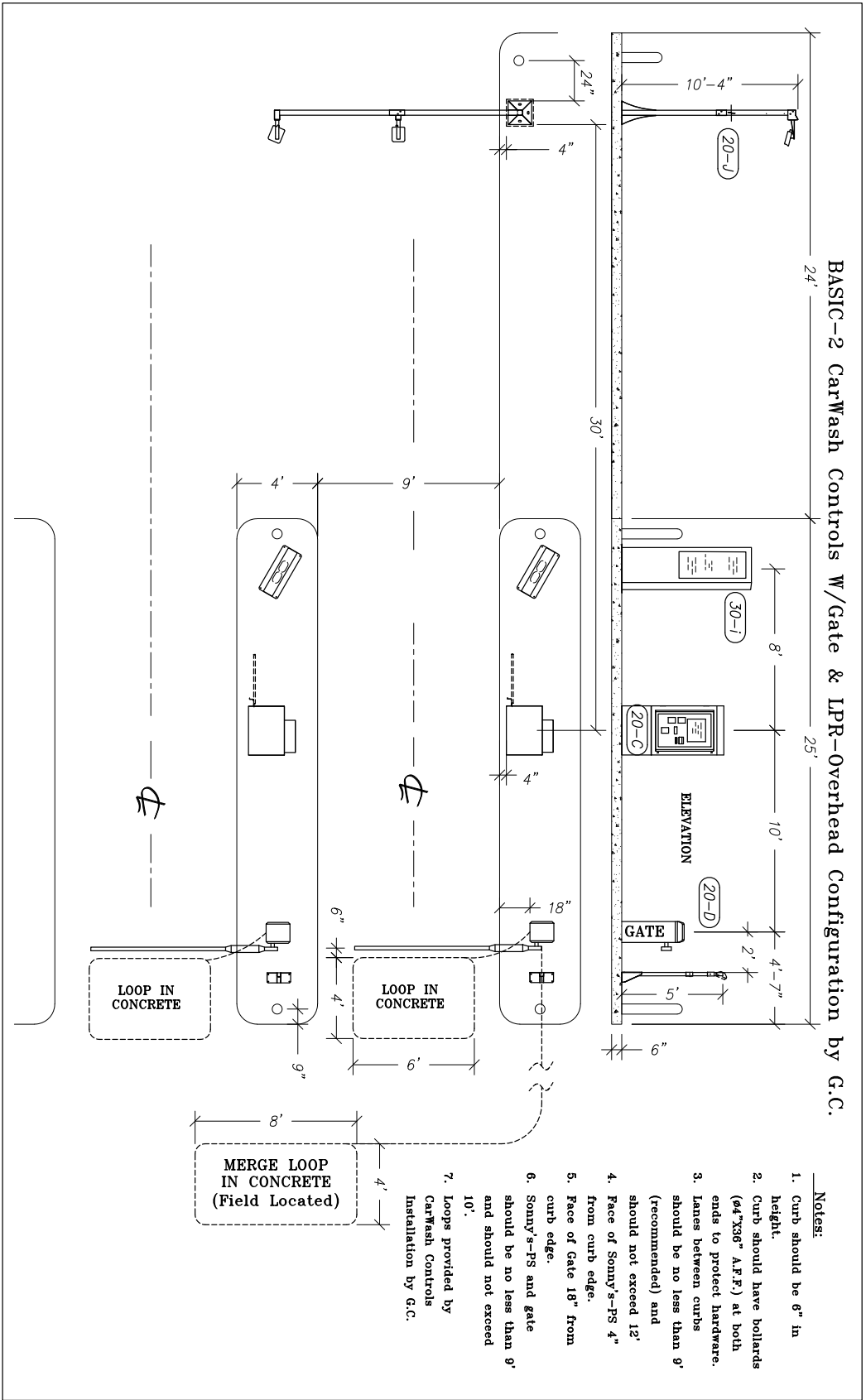
**DISCLAIMER**  
 ALL INFORMATION CONTAINED HEREIN IS THE PROPERTY OF SONNY'S ENTERPRISES, INC. AND IS TO BE USED ONLY FOR THE PROJECT AND SITE SPECIFICALLY IDENTIFIED IN THE TITLE OF THIS SHEET. ANY OTHER USE OR DISCLOSURE OF ANY INFORMATION CONTAINED HEREIN WITHOUT THE WRITTEN PERMISSION OF SONNY'S ENTERPRISES, INC. IS STRICTLY PROHIBITED. THE USER OF THIS SHEET SHALL BE RESPONSIBLE FOR OBTAINING ALL NECESSARY PERMITS AND APPROVALS FROM ALL APPLICABLE AGENCIES AND AUTHORITIES. THE USER SHALL BE RESPONSIBLE FOR OBTAINING ALL NECESSARY PERMITS AND APPROVALS FROM ALL APPLICABLE AGENCIES AND AUTHORITIES. THE USER SHALL BE RESPONSIBLE FOR OBTAINING ALL NECESSARY PERMITS AND APPROVALS FROM ALL APPLICABLE AGENCIES AND AUTHORITIES.

**CONFIDENTIAL WARNING:**  
 THIS SHEET CONTAINS AND CONSTITUTES CONFIDENTIAL INFORMATION, IMAGES AND TRADE SECRETS OF SONNY'S ENTERPRISES, INC. ANY UNAUTHORIZED USE OR DISCLOSURE OF ANY INFORMATION CONTAINED HEREIN WITHOUT THE WRITTEN PERMISSION OF SONNY'S ENTERPRISES, INC. IS STRICTLY PROHIBITED. THE USER OF THIS SHEET SHALL BE RESPONSIBLE FOR OBTAINING ALL NECESSARY PERMITS AND APPROVALS FROM ALL APPLICABLE AGENCIES AND AUTHORITIES. THE USER SHALL BE RESPONSIBLE FOR OBTAINING ALL NECESSARY PERMITS AND APPROVALS FROM ALL APPLICABLE AGENCIES AND AUTHORITIES.

21181-D3-Tulalip Tribe  
 SCALE: N.T.S.  
 LOCATION: -WA-

Sheet 11.1  
 Rev. -1-

NOT FOR CONSTRUCTION UNTIL APPROVED BELOW.  
 APPROVED BY: \_\_\_\_\_ DATE: \_\_\_\_\_



**BASIC-2 CarWash Controls w/Gate & LPR-Overhead Configuration by G.C.**

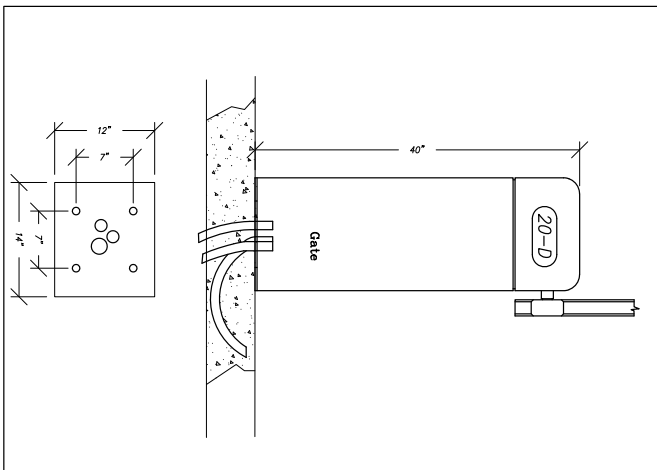
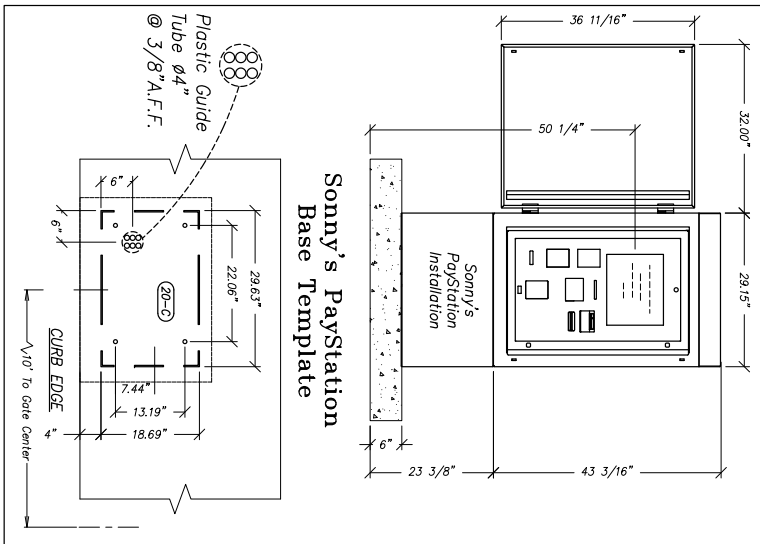
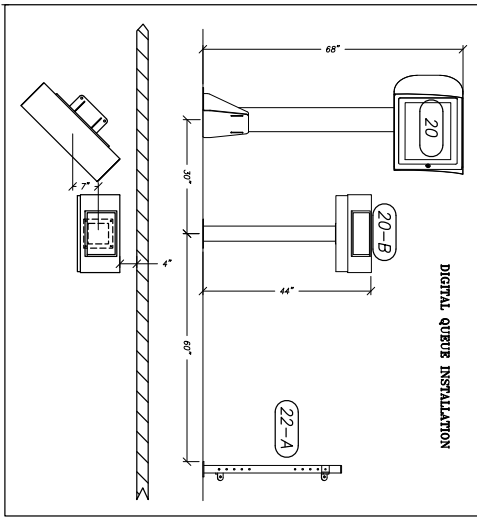
**Notes:**

1. Curb should be 6" in height.
2. Curb should have bollards (#4"x36" A.F.P.) at both ends to protect hardware.
3. Lanes between curbs should be no less than 9' (recommended) and should not exceed 12'.
4. Face of Sonny's-PS 4" from curb edge.
5. Face of Gate 18" from curb edge.
6. Sonny's-PS and gate should be no less than 9' and should not exceed 10'.
7. Loops provided by CarWash Controls Installation by G.C.

POS CONFIGURATION; GC SCHEMATIC



DATE:	03.03.21
REVISION DATE:	10.25.21
CREATED BY:	LV
REVISED BY:	ADC
APPROVED BY:	FAO



**DISCLAIMER**  
 ALTHOUGH BUILDING CODES HAVE BEEN CONSIDERED IN DEVELOPING THIS DRAWING, VERIFICATION OF ALL APPLICABLE BUILDING CODES AND ORDINANCES IS THE RESPONSIBILITY OF THE ARCHITECT AND/OR ENGINEER. THESE DRAWINGS REFLECT REQUIREMENTS FOR SONNY'S EQUIPPED EQUIPMENT ONLY UNLESS OTHERWISE NOTED. PLEASE REFER TO OTHER DRAWINGS AND ORDERS, IF ANY, FOR THEIR EQUIPMENT REQUIREMENTS.

**CONFIDENTIAL WARNING:**  
 THIS SHEET CONTAINS AND CONSTITUTES CONFIDENTIAL INFORMATION, IMAGES AND TRADE SECRETS OF SONNY'S ENTERPRISES INC. ANY UNAUTHORIZED USE OR DISCLOSURE OF ANY OR PORTION THEREOF IS STRICTLY PROHIBITED. THIS WORK IS THE EXCLUSIVE PROPERTY OF SONNY'S ENTERPRISES INC. ALL RIGHTS RESERVED.

21181-D3-Tulalip Tribe  
 SCALE: N.T.S. LOCATION: -WA-

NOT FOR CONSTRUCTION UNTIL APPROVED BELOW.  
 APPROVED BY: \_\_\_\_\_ DATE: \_\_\_\_\_

Sheet 11.2  
 Rev. -1-

POS CONFIGURATION; GC SCHEMATIC



DATE: 03.03.21  
 REVISION DATE: 10.25.21  
 CREATED BY: LV  
 REVISED BY: ADC  
 APPROVED BY: FAO

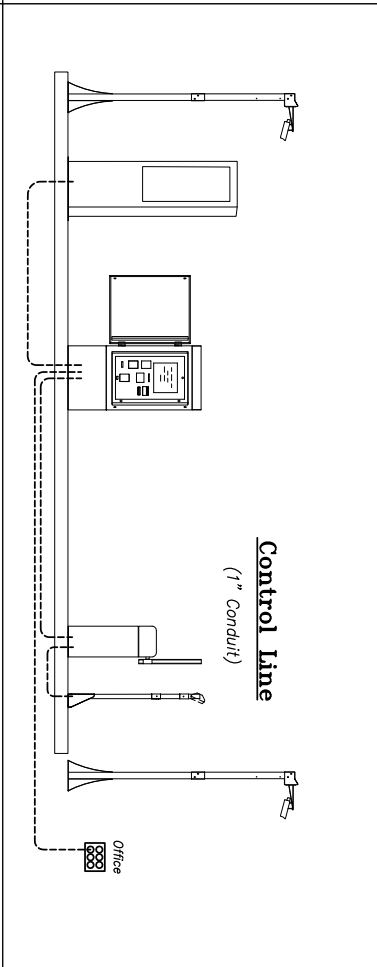
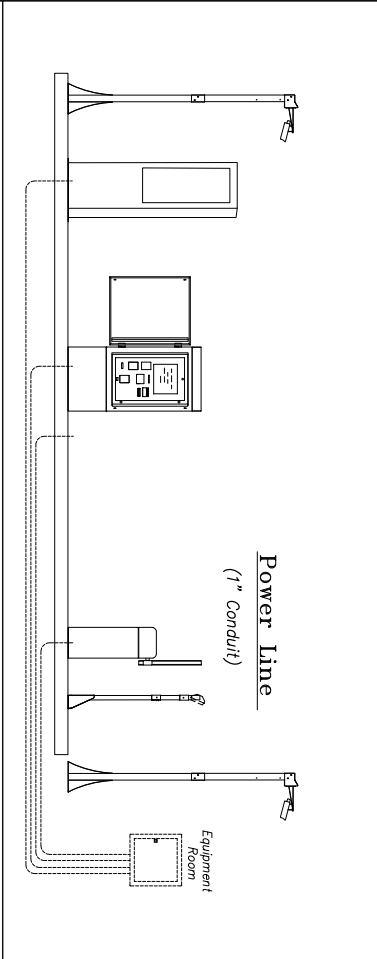
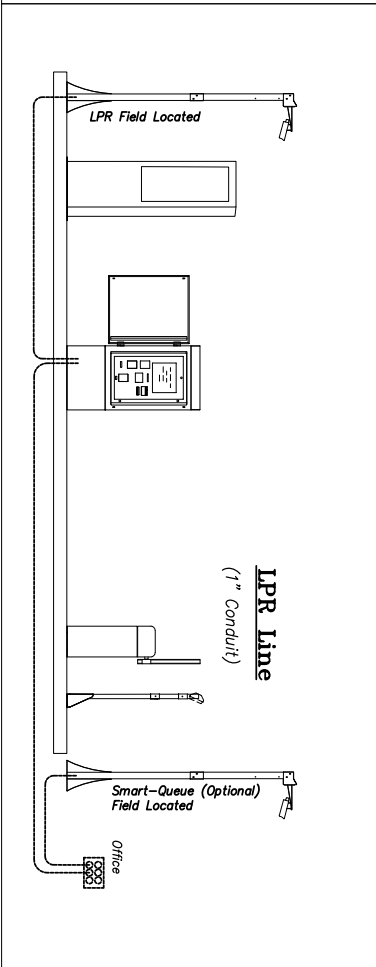
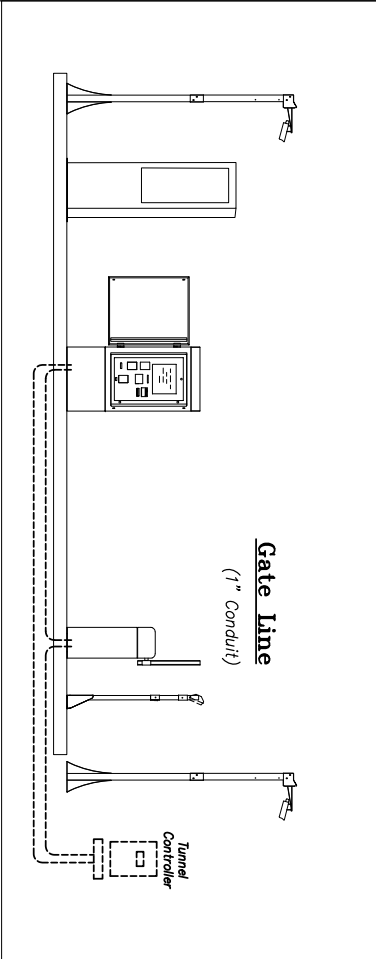
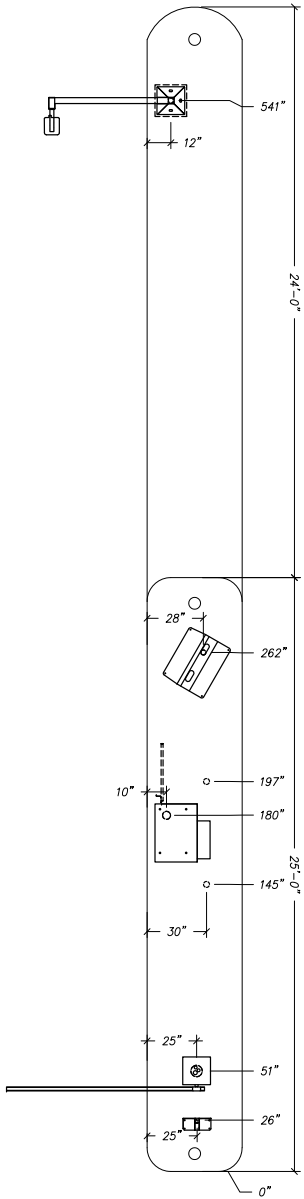


**DISCLAIMER**  
 ALL RIGHTS RESERVED. SONNY'S ENTERPRISES, INC. HAS BEEN CONSIDERED IN DEVELOPING THIS DRAWING. VERIFICATION OF  
 ALTHOUGH BUILDING CODES HAVE BEEN CONSIDERED IN DEVELOPING THIS DRAWING, VERIFICATION OF  
 THESE DRAWINGS REFLECT REQUIREMENTS FOR SONNY'S EQUIPPED EQUIPMENT ONLY UNLESS OTHERWISE  
 NOTED. PLEASE REFER TO OTHER DRAWINGS AND ORDERS, IF ANY, FOR THEIR EQUIPMENT REQUIREMENTS.

**CONFIDENTIAL WARNING:**  
 THIS SHEET CONTAINS AND CONSTITUTES CONFIDENTIAL INFORMATION, IMAGES AND TRADE SECRETS  
 OF SONNY'S ENTERPRISES, INC. ANY UNAUTHORIZED USE OR DISCLOSURE OF ANY OR PORTION THEREOF,  
 IN WHOLE OR IN PART, WITHOUT THE WRITTEN PERMISSION OF SONNY'S ENTERPRISES, INC., IS  
 STRICTLY PROHIBITED. THIS WORK IS THE EXCLUSIVE PROPERTY OF SONNY'S ENTERPRISES, INC.  
 ALL RIGHTS RESERVED.

**21181-D3-Tulalip Tribe**  
 SCALE: N.T.S. LOCATION: -WA-

Sheet 11.3  
 Rev. -4-



POS ISLAND CONDUIT LAYOUT; GC SCHEMATIC



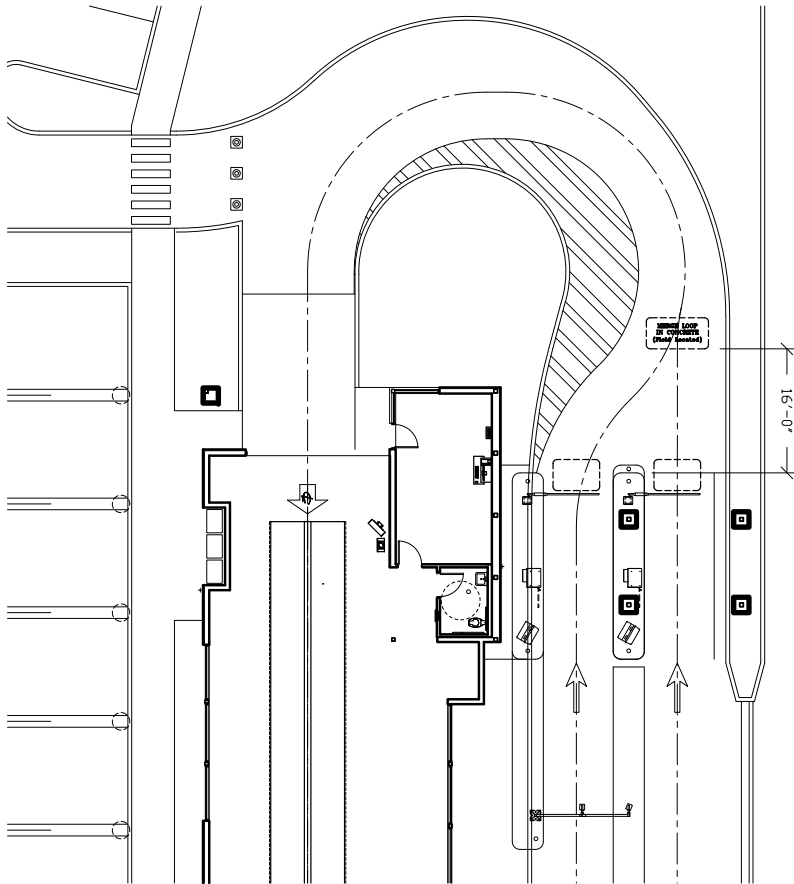
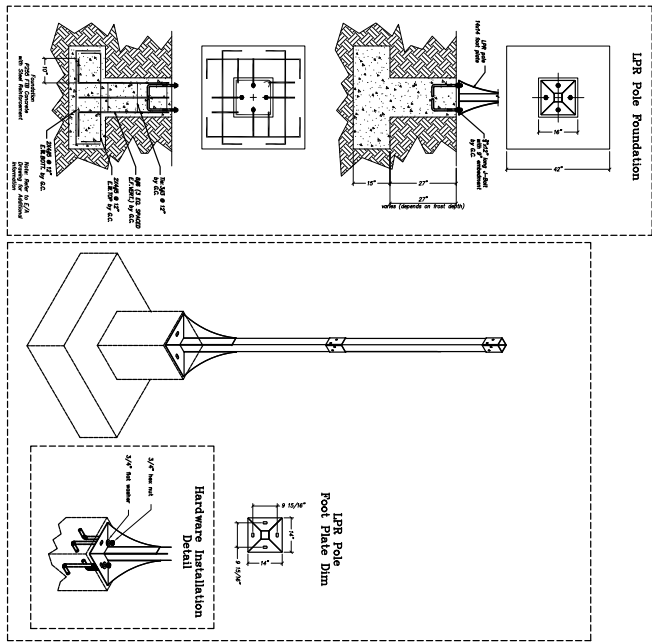
DATE:	03.03.21
REVISION DATE:	10.25.21
CREATED BY:	LV
REVISED BY:	ADC
APPROVED BY:	FAO

**DISCLAIMER**  
 ALL RIGHTS RESERVED. THIS SHEET CONTAINS AND CONSTITUTES CONFIDENTIAL INFORMATION, IMAGES AND TRADE SECRETS OF SONNY'S ENTERPRISES INC. ANY UNAUTHORIZED USE OR DISCLOSURE OF ANY OR PORTION HEREOF IS STRICTLY PROHIBITED. THIS WORK IS THE EXCLUSIVE PROPERTY OF SONNY'S ENTERPRISES INC. ALL RIGHTS RESERVED.

**CONFIDENTIAL WARNING:**  
 THIS SHEET CONTAINS AND CONSTITUTES CONFIDENTIAL INFORMATION, IMAGES AND TRADE SECRETS OF SONNY'S ENTERPRISES INC. ANY UNAUTHORIZED USE OR DISCLOSURE OF ANY OR PORTION HEREOF IS STRICTLY PROHIBITED. THIS WORK IS THE EXCLUSIVE PROPERTY OF SONNY'S ENTERPRISES INC. ALL RIGHTS RESERVED.

21181-D3-Tulalip Tribe  
 SCALE: 1"=20'  
 LOCATION: -WA-

NOT FOR CONSTRUCTION UNTIL APPROVED BELOW.  
 APPROVED BY: \_\_\_\_\_ DATE: \_\_\_\_\_  
 Sheet 11.4 Rev. -1-



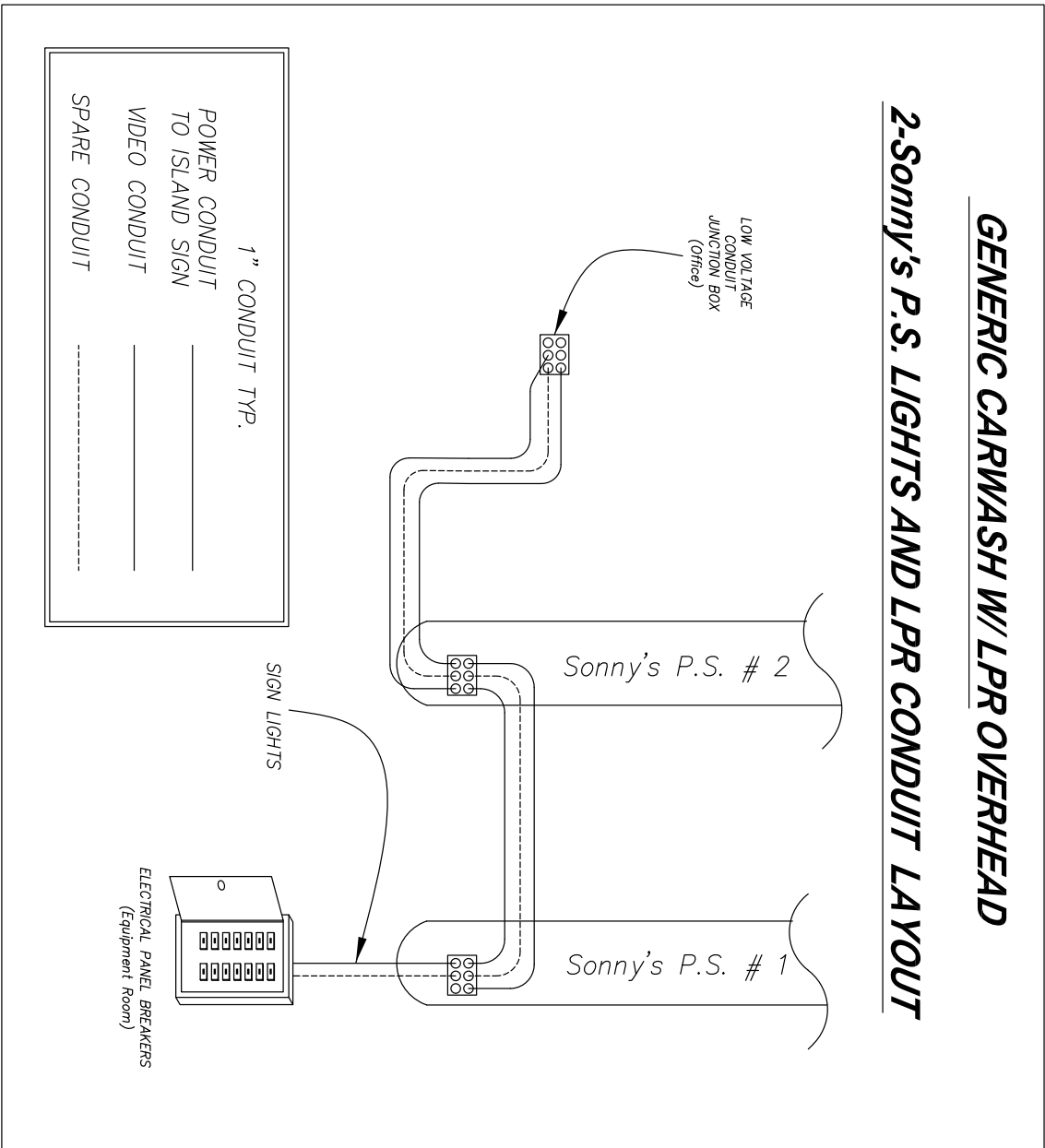
POS SITE LAYOUT; GC



DATE: 03.03.21  
 REVISION DATE: 10.25.21  
 CREATED BY: LV  
 REVISED BY: ADC  
 APPROVED BY: FAO

# GENERIC CARWASH W/ LPR OVERHEAD

## 2-Sonny's P.S. LIGHTS AND LPR CONDUIT LAYOUT



NOT FOR CONSTRUCTION UNTIL APPROVED BELOW.  
 APPROVED BY: \_\_\_\_\_ DATE: \_\_\_\_\_

**DISCLAIMER**  
 ALTHOUGH BUILDING COSTS HAVE BEEN CONSIDERED IN DEVELOPING THIS DRAWING, VARIATION OF MATERIALS, METHODS AND CONDITIONS OF INSTALLATION AND IN BUILDING COSTS IS THE EXCLUSIVE RESPONSIBILITY OF THE CUSTOMER AND/OR ARCHITECT AND ENGINEER. THESE DRAWINGS REFLECT REQUIREMENTS FOR SONNY'S EQUIPMENTS AND EQUIPMENT ONLY UNLESS OTHERWISE NOTED. PLEASE REFER TO OTHER DRAWINGS AND ORDERS, IF ANY, FOR THEIR EQUIPMENT REQUIREMENTS.

**CONFIDENTIAL WARNING:**  
 THIS SHEET CONTAINS AND CONSTITUTES CONFIDENTIAL INFORMATION, IMAGES AND TRADE SECRETS OF SONNY'S ENTERPRISES, INC. ANY UNAUTHORIZED USE OR DISCLOSURE OF ANY OR PORTION THEREOF IS STRICTLY PROHIBITED. THIS WORK IS THE EXCLUSIVE PROPERTY OF SONNY'S ENTERPRISES, INC. ALL RIGHTS RESERVED.

21181-D3-Tulalip Tribe  
 SCALE: N.T.S. LOCATION: -WA-

Sheet 11.5  
 Rev. -4-

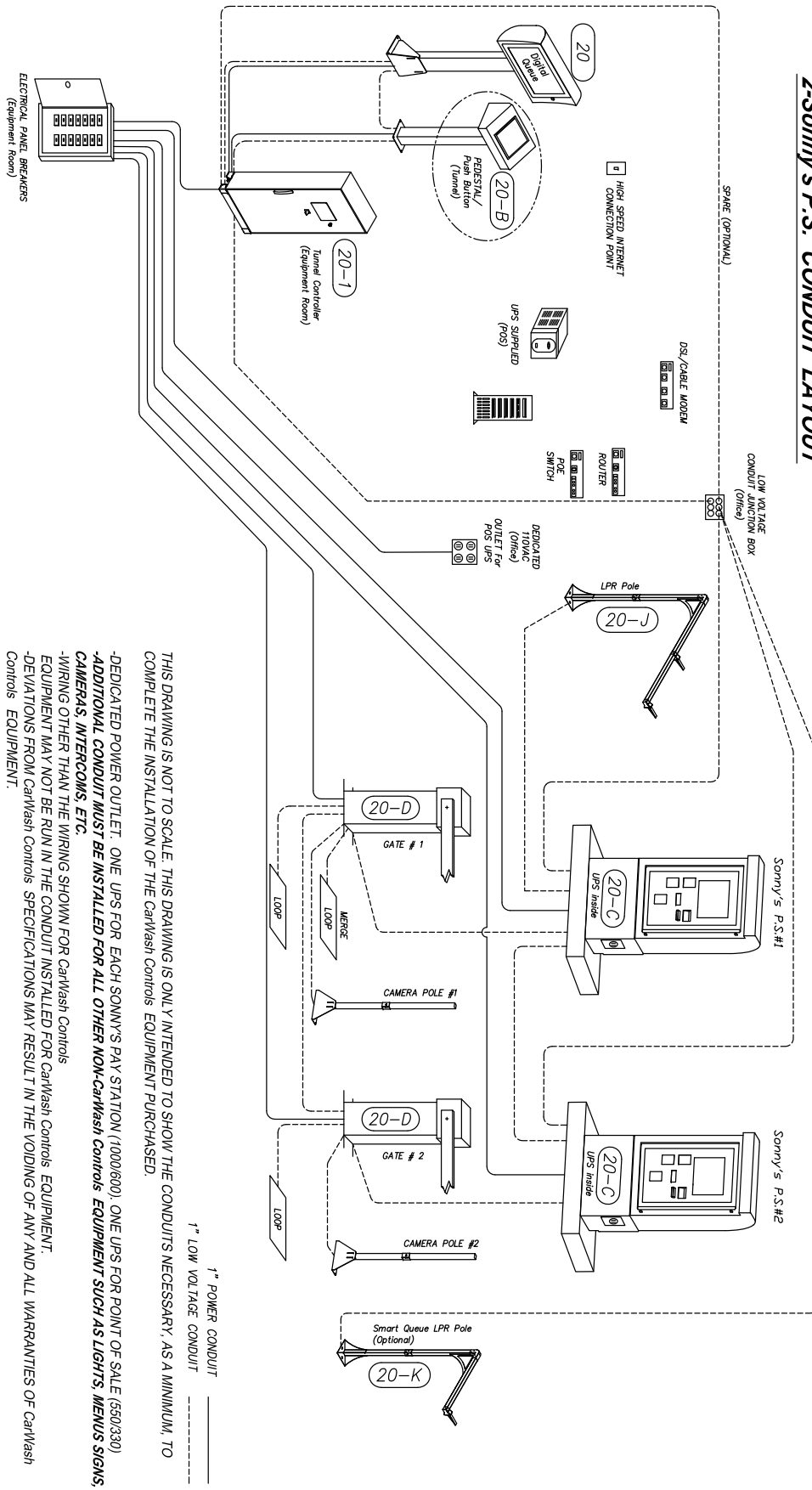
ISLAND CONDUIT LAYOUT; GC



DATE:	03.03.21
REVISION DATE:	10.25.21
CREATED BY:	LV
REVISED BY:	ADC
APPROVED BY:	FAO

## GENERIC CARWASH W/ LPR-OVERHEAD

### 2-Sonny's P.S. CONDUIT LAYOUT



THIS DRAWING IS NOT TO SCALE. THIS DRAWING IS ONLY INTENDED TO SHOW THE CONDUITS NECESSARY, AS A MINIMUM, TO COMPLETE THE INSTALLATION OF THE CarWash Controls EQUIPMENT PURCHASED.

-DEDICATED POWER OUTLET. ONE UPS FOR EACH SONNY'S PAY STATION (1000/800). ONE UPS FOR POINT OF SALE (550/330)

-ADDITIONAL CONDUIT MUST BE INSTALLED FOR ALL OTHER NON-CarWash Controls EQUIPMENT SUCH AS LIGHTS, MENUS SIGNS, CAMERAS, INTERCOMS, ETC.

-WIRING OTHER THAN THE WIRING SHOWN FOR CarWash Controls EQUIPMENT MAY NOT BE RUN IN THE CONDUIT INSTALLED FOR CarWash Controls EQUIPMENT.

-DEVIATIONS FROM CarWash Controls SPECIFICATIONS MAY RESULT IN THE VOIDING OF ANY AND ALL WARRANTIES OF CarWash Controls EQUIPMENT.

**DISCLAIMER**  
 ALTHOUGH BUILDING CODES HAVE BEEN CONSIDERED IN DEVELOPING THIS DRAWING, VERIFICATION OF ALL APPLICABLE BUILDING CODES AND ORDINANCES IS THE RESPONSIBILITY OF THE ARCHITECT AND/OR ENGINEER. THESE DRAWINGS REFLECT REQUIREMENTS FOR SONNY'S EQUIPPED EQUIPMENT ONLY, UNLESS OTHERWISE NOTED. PLEASE REFER TO OTHER DRAWING AND ORDERS, IF ANY, FOR THEIR EQUIPMENT REQUIREMENTS.

**CONFIDENTIAL WARNING:**  
 THIS SHEET CONTAINS AND CONSTITUTES CONFIDENTIAL INFORMATION, IMAGES AND TRADE SECRETS OF SONNY'S ENTERPRISES INC. ANY UNAUTHORIZED USE OR DISCLOSURE OF ANY OR PORTION THEREOF OR SONNY'S ENTERPRISES INC. THIS WORK IS THE EXCLUSIVE PROPERTY OF SONNY'S ENTERPRISES INC. ALL RIGHTS RESERVED.

21181-D3-Tulalip Tribe

SCALE: N.T.S. LOCATION: -WA-

Sheet	Rev.
11.6	-4-

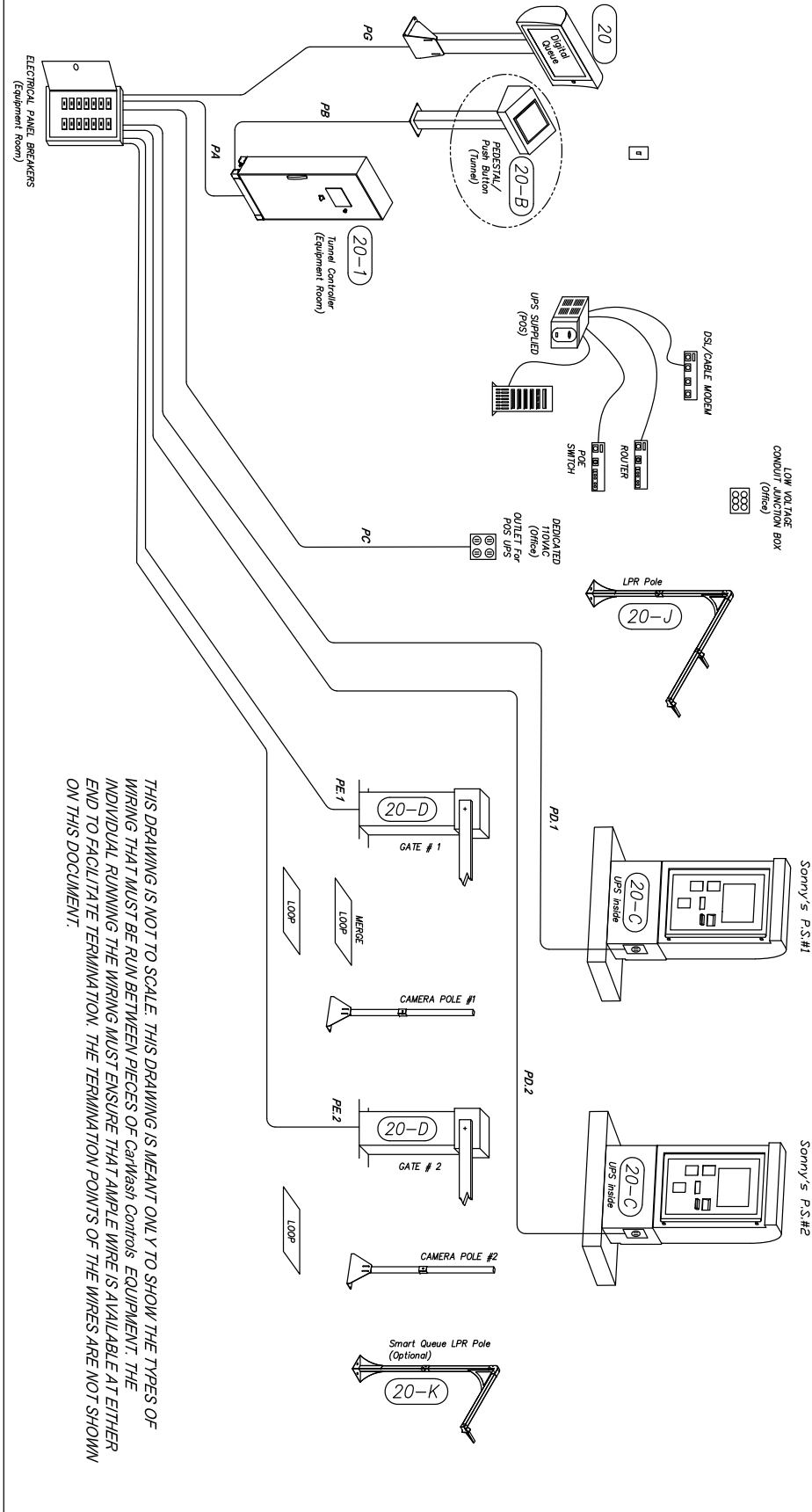
POS CONDUIT LAYOUT; GC



DATE:	03.03.21
REVISION DATE:	10.25.21
CREATED BY:	LV
REVISED BY:	ADC
APPROVED BY:	FAO

# GENERIC CARWASH W/ LPR-OVERHEAD

## 2-Sonny's P.S. "POWER LAYOUT"



THIS DRAWING IS NOT TO SCALE. THIS DRAWING IS MEANT ONLY TO SHOW THE TYPES OF WIRING THAT MUST BE RUN BETWEEN PIECES OF CarWash Controls EQUIPMENT. THE INDIVIDUAL RUNNING THE WIRING MUST ENSURE THAT AMPLE WIRE IS AVAILABLE AT EITHER END TO FACILITATE TERMINATION. THE TERMINATION POINTS OF THE WIRES ARE NOT SHOWN ON THIS DOCUMENT.

**DISCLAIMER**  
 Although building codes have been considered in developing this drawing, verification of all other building codes and ordinances in the jurisdiction where the carwash is to be installed is the exclusive responsibility of the customer and/or architect and engineer. THESE DRAWINGS REFLECT REQUIREMENTS FOR SONNY'S EQUIPPED EQUIPMENT ONLY, UNLESS OTHERWISE NOTED. PLEASE REFER TO OTHER MANUALS AND ORDERS, IF ANY, FOR THEIR EQUIPMENT REQUIREMENTS.

**CONFIDENTIAL WARNING:**  
 THIS SHEET CONTAINS AND CONSTITUTES CONFIDENTIAL INFORMATION, IMAGES AND TRADE SECRETS OF SONNY'S ENTERPRISES INC. ANY UNAUTHORIZED USE OR DISCLOSURE OF ANY OR PORTION THEREOF IS STRICTLY PROHIBITED. THIS WORK IS THE EXCLUSIVE PROPERTY OF SONNY'S ENTERPRISES INC. ALL RIGHTS RESERVED.

21181-D3-Tulalip Tribe  
 SCALE: N.T.S. LOCATION: -WA-

Sheet 11.7  
 Rev. -4-

POS POWER LAYOUT; GC



DATE: 03.03.21  
 REVISION DATE: 10.25.21  
 CREATED BY: LV  
 REVISED BY: ADC  
 APPROVED BY: FAO

**GENERIC CARWASH W/ LPR-OVERHEAD  
2-Sonny's P.S. "POWER LAYOUT"**

IDENTIFIER	WIRE TYPE	PROVIDED BY	TERMINATION LOCATIONS	TERMINATED BY
PA	12/3 BLK/WHT/GRN	GC	FROM ELECTRICAL PANEL BREAKER TO TUNNEL CONTROLLER (110 VAC)	GC
PB	14/3 BLUE/WHT/GRN	GC	FROM TUNNEL CONTROLLER TO PEDESTAL (24 VDC)	GC
PB	18/4	GC	FROM TUNNEL CONTROLLER TO START/STOP BUTTON PEDESTAL	GC
PC	12/3 BLK/WHT/GRN	GC	FROM ELECTRICAL PANEL BREAKER TO OFFICE OUTLET (POS)	GC
PD.1	12/3 BLK/WHT/GRN	GC	FROM ELECTRICAL PANEL BREAKER TO Sonny's P.S.#1 (UPS Inside)	GC
PD.2	12/3 BLK/WHT/GRN	GC	FROM ELECTRICAL PANEL BREAKER TO Sonny's P.S.#2 (UPS Inside)	GC
PE.1	12/3 BLK/WHT/GRN	GC	FROM ELECTRICAL PANEL BREAKER TO GATE#1 (110 VAC)	GC
PE.2	12/3 BLK/WHT/GRN	GC	FROM ELECTRICAL PANEL BREAKER TO GATE#2 (110 VAC)	GC
PG	12/3 BLK/WHT/GRN	GC	FROM ELECTRICAL PANEL BREAKER TO DIGITAL QUEUE (110 VAC)	GC

NOTE: ALL WIRING FOR CarWash Controls EQUIPMENT TO BE RUN BY AN ELECTRICAL CONTRACTOR AND MUST BE HOME-RUNNED FROM POINT TO POINT. SPLICING OF WIRES IS NOT ALLOWED.

**DISCLAIMER**  
ALTHOUGH BUILDING CODES HAVE BEEN CONSIDERED IN DEVELOPING THIS DRAWING, VARIATION OF MATERIALS, METHODS AND CONDITIONS OF CONSTRUCTION AND THE EXISTING CONDITIONS OF THE PROJECT ARE THE SOLE RESPONSIBILITY OF THE CUSTOMER AND/OR ARCHITECT AND ENGINEER. THESE DRAWINGS REFLECT REQUIREMENTS FOR SONNY'S EQUIPMENT ONLY UNLESS OTHERWISE NOTED. PLEASE REFER TO OTHER DRAWINGS AND SPECIFICATIONS FOR OTHER REQUIREMENTS.

**CONFIDENTIAL WARNING:**  
THIS SHEET CONTAINS AND CONSTITUTES CONFIDENTIAL INFORMATION, TRADE SECRETS OR SONNY'S ENTERPRISES INC. ANY UNAUTHORIZED USE OR DISCLOSURE OF ANY OR PORTION THEREOF, WITHOUT THE WRITTEN PERMISSION OF SONNY'S ENTERPRISES INC. IS STRICTLY PROHIBITED. ALL RIGHTS RESERVED.

21181-D3-Tulalip Tribe  
SCALE: N.T.S. LOCATION: -WA-

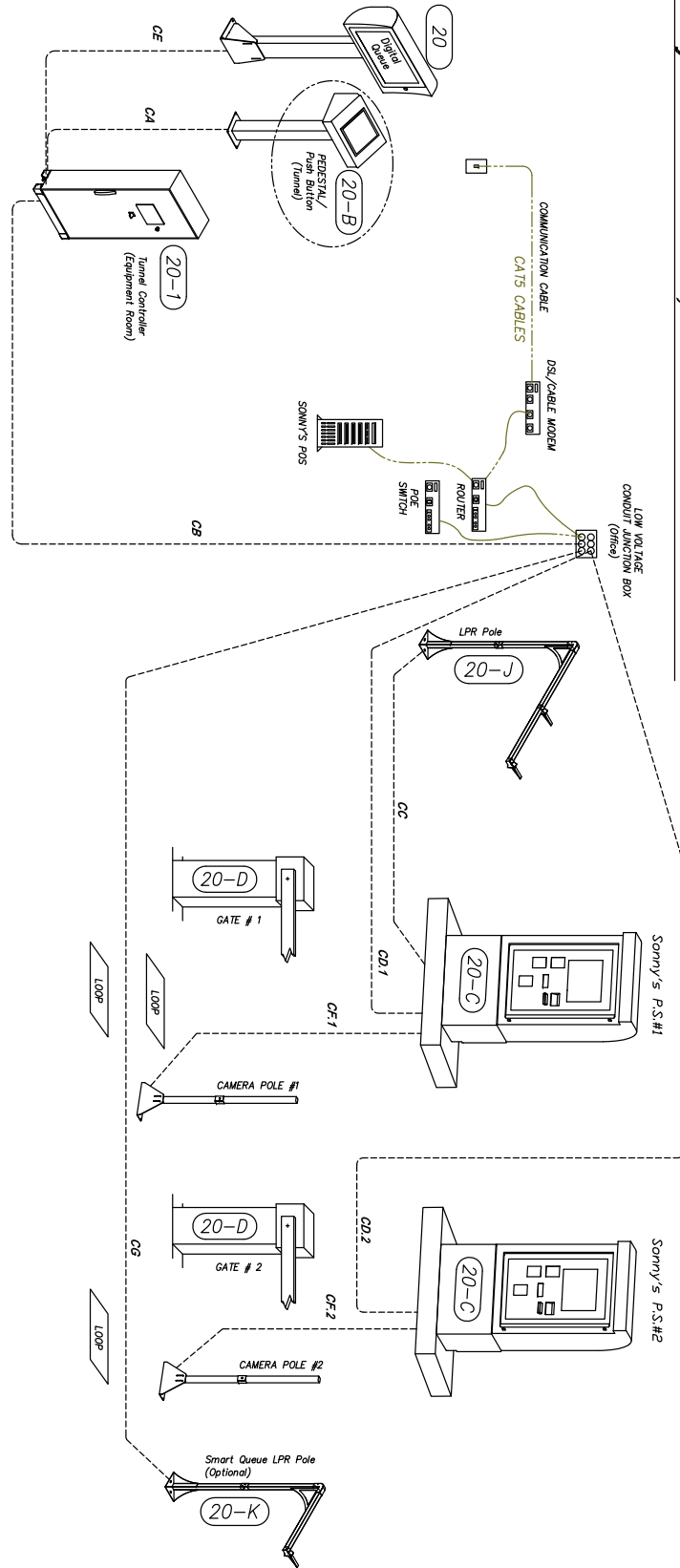
Sheet 11.8  
Rev. -+-



DATE:	03.03.21
REVISION DATE:	10.25.21
CREATED BY:	LV
REVISED BY:	ADC
APPROVED BY:	FAO

## GENERIC CARWASH W/ LPR-OVERHEAD

### 2-Sonny's P.S. "NETWORK, COMM & CONTROL LAYOUT"



THIS DRAWING IS NOT TO SCALE. THIS DRAWING IS MEANT ONLY TO SHOW THE TYPES OF WIRING THAT MUST BE RUN BETWEEN PIECES OF CarWash Controls EQUIPMENT. THE INDIVIDUAL RUNNING THE WIRING MUST ENSURE THAT AMPLE WIRE IS AVAILABLE AT EITHER END TO FACILITATE TERMINATION. THE TERMINATION POINTS OF THE WIRES ARE NOT SHOWN ON THIS DOCUMENT.

**DISCLAIMER**  
 ALL OTHER BUILDING CODES HAVE BEEN CONSIDERED IN DEVELOPING THIS DRAWING. VERIFICATION OF ALTHOUGH SONNY'S AND COMPANY SHALL BE RESPONSIBLE FOR THE ACCURACY OF THE INFORMATION AND THESE DRAWINGS REFLECT REQUIREMENTS FOR SONNY'S EQUIPPED EQUIPMENT ONLY UNLESS OTHERWISE NOTED. PLEASE REFER TO OTHER MANUALS FOR OTHERS, IF ANY, FOR THEIR EQUIPMENT REQUIREMENTS.

**CONFIDENTIAL WARNING:**  
 THIS SHEET CONTAINS AND CONSTITUTES CONFIDENTIAL INFORMATION, IMAGES AND TRADE SECRETS OF SONNY'S ENTERPRISES, INC. ANY UNAUTHORIZED USE OR DISCLOSURE OF ANY OR PORTION THEREOF IS STRICTLY PROHIBITED. THIS WORK IS THE EXCLUSIVE PROPERTY OF SONNY'S ENTERPRISES, INC. ALL RIGHTS RESERVED.

21181-D3-Tulalip Tribe  
 SCALE: N.T.S. LOCATION: -WA-

Sheet 11.9  
 Rev. -+-

POS COMMUNICATION LAYOUT; GC



DATE:	03.03.21
REVISION DATE:	10.25.21
CREATED BY:	LV
REVISED BY:	ADC
APPROVED BY:	FAO

**GENERIC CARWASH W/ LPR-OVERHEAD  
2-Sonny's P.S. "NETWORK, COMM & CONTROL LAYOUT"**

IDENTIFIER	WIRE TYPE	PROVIDED BY	TERMINATION LOCATIONS	TERMINATED BY
CA	CATS SHIELDED	GC	FROM TUNNEL CONTROLLER TO PUSH BUTTON (PEDESTAL)	GC
CB	CATS SHIELDED	GC	FROM ROUTER TO TUNNEL CONTROLLER	GC
CC	(2) CATS SHIELDED	GC	FROM LPR POLE TO SONNYS P.S	GC
CD.1	CATS SHIELDED	GC	FROM ROUTER TO Sonny's P.S.#1	GC
CD.2	CATS SHIELDED	GC	FROM ROUTER TO Sonny's P.S.#2	GC
CE	CATS SHIELDED	GC	FROM TUNNEL CONTROLLER TO DIGITAL QUEUE	GC
CF.1	CATS SHIELDED	GC	FROM DQ CAMERA POLE #1 TO SONNYS P.S.#1	GC
CF.2	CATS SHIELDED	GC	FROM DQ CAMERA POLE #2 TO SONNYS P.S.#2	GC
CG	CATS SHIELDED	GC	FROM SMART QUEUE LPR POLE TO POE+ SWITCH	GC

NOTE: ALL WIRING FOR CarWash Controls EQUIPMENT TO BE RUN BY AN ELECTRICAL CONTRACTOR AND MUST BE HOME-RUNNED FROM POINT TO POINT. SPLICING OF WIRES IS NOT ALLOWED.

**DISCLAIMER**  
ALTHOUGH BUILDING CODES HAVE BEEN CONSIDERED IN DEVELOPING THIS DRAWING, VERIFICATION OF ALL APPLICABLE BUILDING AND ELECTRICAL CODES AND ALL APPLICABLE LOCAL ORDINANCES IS THE EXCLUSIVE RESPONSIBILITY OF THE CUSTOMER AND/OR ARCHITECT AND ENGINEER. THESE DRAWINGS REFLECT REQUIREMENTS FOR SONNY'S EQUIPPED EQUIPMENT ONLY UNLESS OTHERWISE NOTED. PLEASE REFER TO OTHER DRAWING AND ORDERS, IF ANY, FOR THEIR EQUIPMENT REQUIREMENTS.

**CONFIDENTIAL WARNING:**  
THIS SHEET CONTAINS AND CONSTITUTES CONFIDENTIAL INFORMATION, IMAGES AND TRADE SECRETS OF SONNY'S ENTERPRISES INC. ANY UNAUTHORIZED USE OR DISCLOSURE OF ANY OR PORTION THEREOF, WITHOUT THE WRITTEN PERMISSION OF SONNY'S ENTERPRISES INC. IS STRICTLY PROHIBITED. ALL RIGHTS RESERVED.

21181-D3-Tulalip Tribe  
SCALE: N.T.S. LOCATION: -WA-

Sheet 11.10  
Rev. -1-

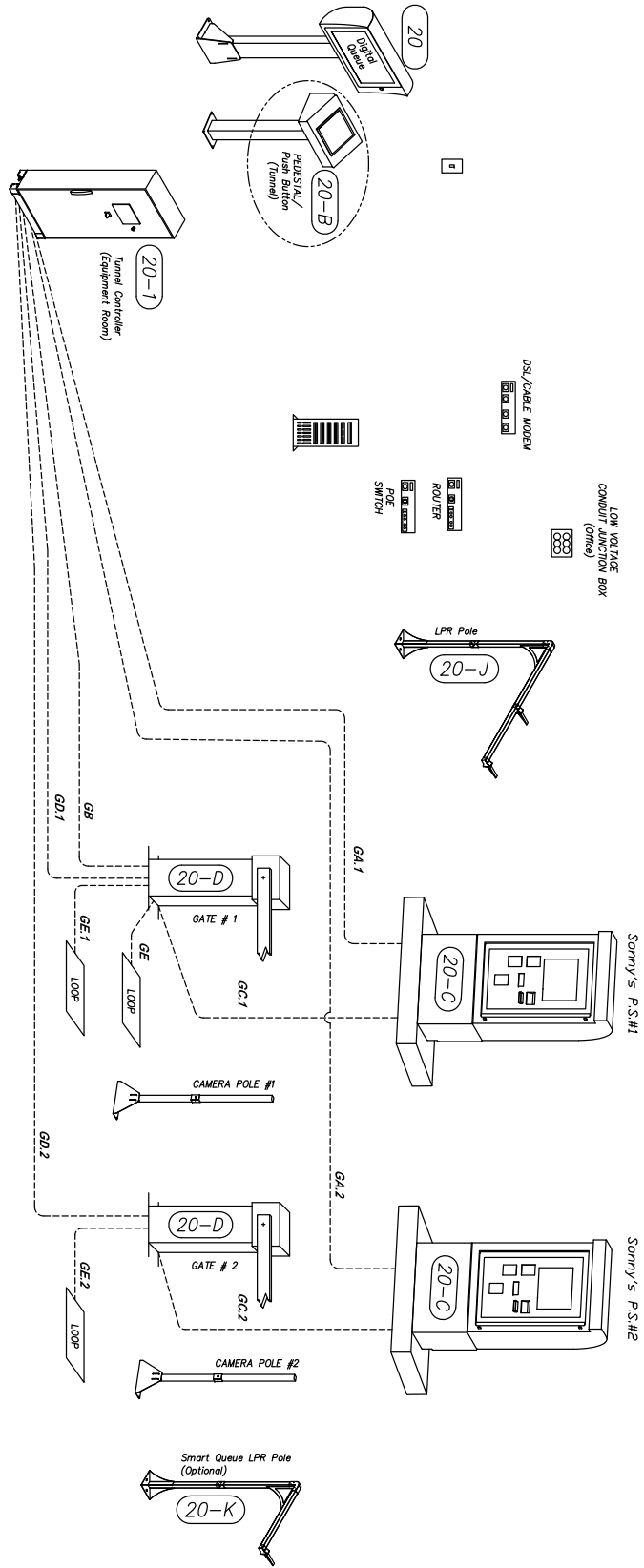
POS COMMUNICATION SCHEDULE



DATE:	03.03.21
REVISION DATE:	10.25.21
CREATED BY:	LV
REVISED BY:	ADC
APPROVED BY:	FAO



**GENERIC CARWASH W/ LPR-OVERHEAD**  
**2-Sonny's P.S. "GATE CONTROL LAYOUT"**



THIS DRAWING IS NOT TO SCALE. THIS DRAWING IS MEANT ONLY TO SHOW THE TYPES OF WIRING THAT MUST BE RUN BETWEEN PIECES OF CarWash Controls EQUIPMENT. THE INDIVIDUAL RUNNING THE WIRING MUST ENSURE THAT AMPLE WIRE IS AVAILABLE AT EITHER END TO FACILITATE TERMINATION. THE TERMINATION POINTS OF THE WIRES ARE NOT SHOWN ON THIS DOCUMENT.

**DISCLAIMER**  
 ALL RIGHTS RESERVED. SONNY'S ENTERPRISES, INC. AND/OR ARCHITECT AND ENGINEER. THESE DRAWINGS REFLECT REQUIREMENTS FOR SONNY'S EQUIPPED EQUIPMENT ONLY UNLESS OTHERWISE NOTED. PLEASE REFER TO OTHER MANUALS AND ORDERS, IF ANY, FOR THEIR EQUIPMENT REQUIREMENTS.

**CONFIDENTIAL WARNING:**  
 THIS SHEET CONTAINS AND CONSTITUTES CONFIDENTIAL INFORMATION, IMAGES AND TRADE SECRETS OF SONNY'S ENTERPRISES, INC. ANY UNAUTHORIZED USE OR DISCLOSURE OF ANY OR PORTION THEREOF IS STRICTLY PROHIBITED. THIS WORK IS THE EXCLUSIVE PROPERTY OF SONNY'S ENTERPRISES, INC. ALL RIGHTS RESERVED.

21181-D3-Tulalip Tribe  
 SCALE: N.T.S. LOCATION: -WA-

Sheet 11.11  
 Rev. -+-

POS GATE CONTROL LAYOUT; GC



DATE: 03.03.21  
 REVISION DATE: 10.25.21  
 CREATED BY: LV  
 REVISED BY: ADC  
 APPROVED BY: FAO

**GENERIC CARWASH W/ LPR-OVERHEAD  
2-Sonny's P.S. "GATE CONTROL LAYOUT"**

IDENTIFIER	WIRE TYPE	PROVIDED BY	TERMINATION LOCATIONS	TERMINATED BY
GA.1	18/9 (8 SIGNAL/1 SPARE)	GC	FROM TUNNEL CONTROLLER TO Sonny's P.S.#1 (Gate I/O and CALL BUTTON)	GC
GA.2	18/9 (8 SIGNAL/1 SPARE)	GC	FROM TUNNEL CONTROLLER TO Sonny's P.S.#2 (Gate I/O and CALL BUTTON)	GC
GB	18/2	GC	FROM TUNNEL CONTROLLER TO GATE#1 (MERGE LOOP)	GC
GC.1	18/4 (2 SIGNAL/2 SPARE)	GC	FROM Sonny's P.S. #1 TO GATE#1	GC
GC.2	18/4 (2 SIGNAL/2 SPARE)	GC	FROM Sonny's P.S. #2 TO GATE#2	GC
GD.1	18/6	GC	FROM TUNNEL CONTROLLER TO GATE#1	GC
GD.2	18/6	GC	FROM TUNNEL CONTROLLER TO GATE#2	GC
GE	MERGE LOOP	SONNYS	FROM GATE#1 TO MERGE LOOP	GC
GE.1	LOOP	SONNYS	FROM GATE#1 TO LOOP#1	GC
GE.2	LOOP	SONNYS	FROM GATE#2 TO LOOP#2	GC

NOTE: ALL WIRING FOR CarWash Controls EQUIPMENT TO BE RUN BY AN ELECTRICAL CONTRACTOR AND MUST BE HOME-RUNNED FROM POINT TO POINT. SPLICING OF WIRES IS NOT ALLOWED.

**DISCLAIMER** BUILDING COSTS HAVE BEEN CONSIDERED IN DEVELOPING THIS DRAWING. VARIATION OF MATERIALS, METHODS AND CONDITIONS OF CONSTRUCTION AND ALL OTHERS ARE THE EXCLUSIVE RESPONSIBILITY OF THE CUSTOMER AND/OR ARCHITECT AND ENGINEER. THESE DRAWINGS REFLECT REQUIREMENTS FOR SONNY'S EQUIPPED EQUIPMENT ONLY UNLESS OTHERWISE NOTED. PLEASE REFER TO OTHER DRAWINGS AND/OR THEIR EQUIPMENT REQUIREMENTS.

**CONFIDENTIAL WARNING:** THIS SHEET CONTAINS AND CONSTITUTES CONFIDENTIAL INFORMATION, IMAGES AND TRADE SECRETS OF SONNY'S ENTERPRISES INC. ANY UNAUTHORIZED USE OR DISCLOSURE OF ANY OR PORTION THEREOF, WITHOUT THE WRITTEN PERMISSION OF SONNY'S ENTERPRISES INC. IS STRICTLY PROHIBITED. ALL RIGHTS RESERVED.

**21181-D3-Tulalip Tribe**  
SCALE: N.T.S. LOCATION: -WA-

Sheet 11.12  
Rev. -1-

**POS GATE CONTROL SCHEDULE**



DATE:	03.03.21
REVISION DATE:	10.25.21
CREATED BY:	LV
REVISED BY:	ADC
APPROVED BY:	FAO

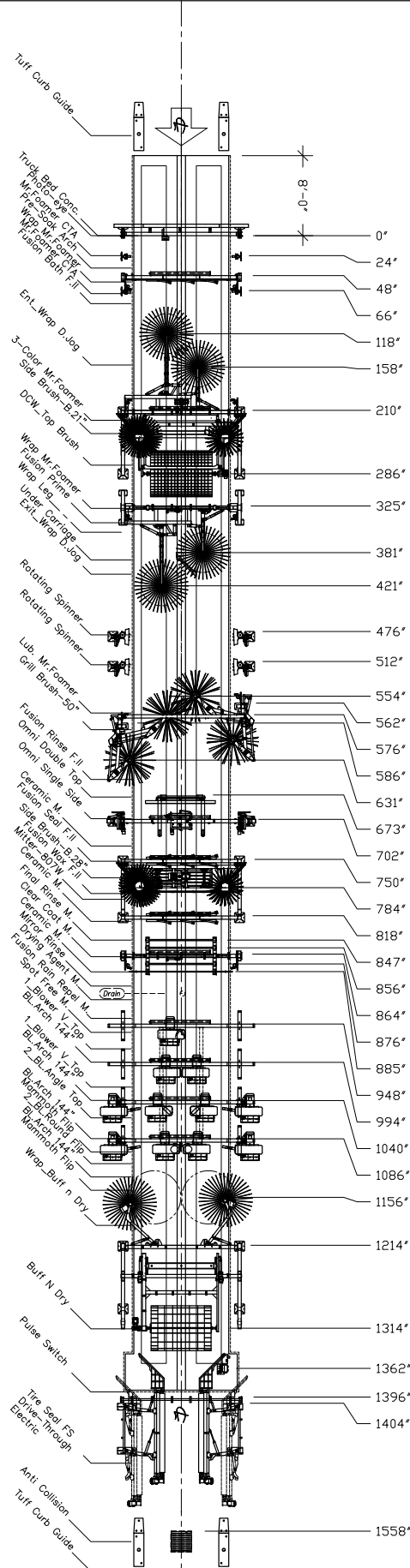
**DISCLAIMER**  
 ALL OTHER BUILDING CODES HAVE BEEN CONSIDERED IN DEVELOPING THIS DRAWING. VARIATION OF  
 MATERIALS, WORKMANSHIP AND CONSTRUCTION METHODS MAY OCCUR. SONNY'S ENTERPRISES, INC. AND  
 THESE DRAWINGS REFLECT REQUIREMENTS FOR SONNY'S EQUIPPED EQUIPMENT ONLY UNLESS OTHERWISE  
 NOTED. PLEASE REFER TO OTHER DRAWINGS AND SPECIFICATIONS FOR OTHER EQUIPMENT REQUIREMENTS.

**CONFIDENTIAL WARNING:**  
 THIS SHEET CONTAINS AND CONSTITUTES CONFIDENTIAL INFORMATION, IMAGES AND TRADE SECRETS  
 OF SONNY'S ENTERPRISES, INC. ANY UNAUTHORIZED USE OR DISCLOSURE OF ANY OR PORTION THEREOF,  
 IN WHOLE OR IN PART, WITHOUT THE WRITTEN PERMISSION OF SONNY'S ENTERPRISES, INC., IS  
 STRICTLY PROHIBITED. THIS WORK IS THE EXCLUSIVE PROPERTY OF SONNY'S ENTERPRISES, INC.  
 ALL RIGHTS RESERVED.

**21181-D3-Tulalip Tribe**  
 SCALE: 3/32"=1'  
 LOCATION: -WA-

Sheet 12.1  
 Rev. -4-

NOT FOR CONSTRUCTION UNTIL APPROVED BELOW.  
 APPROVED BY: \_\_\_\_\_ DATE: \_\_\_\_\_



**TIMING DISTANCES**



DATE:	03.03.21
REVISION DATE:	10.25.21
CREATED BY:	LV
REVISED BY:	ADC
APPROVED BY:	FAO